



**Gianni  
Ferrari**

A - 42

A - 43

A - 44

A - 45

A - 46

cm. 100 - WRD



**CATALOGO PARTI DI RICAMBIO**  
**CATALOGUE PIECES DETACHEES**  
**ERSATZTEILKATALOG**  
**PARTS MANUAL**

10. 2004



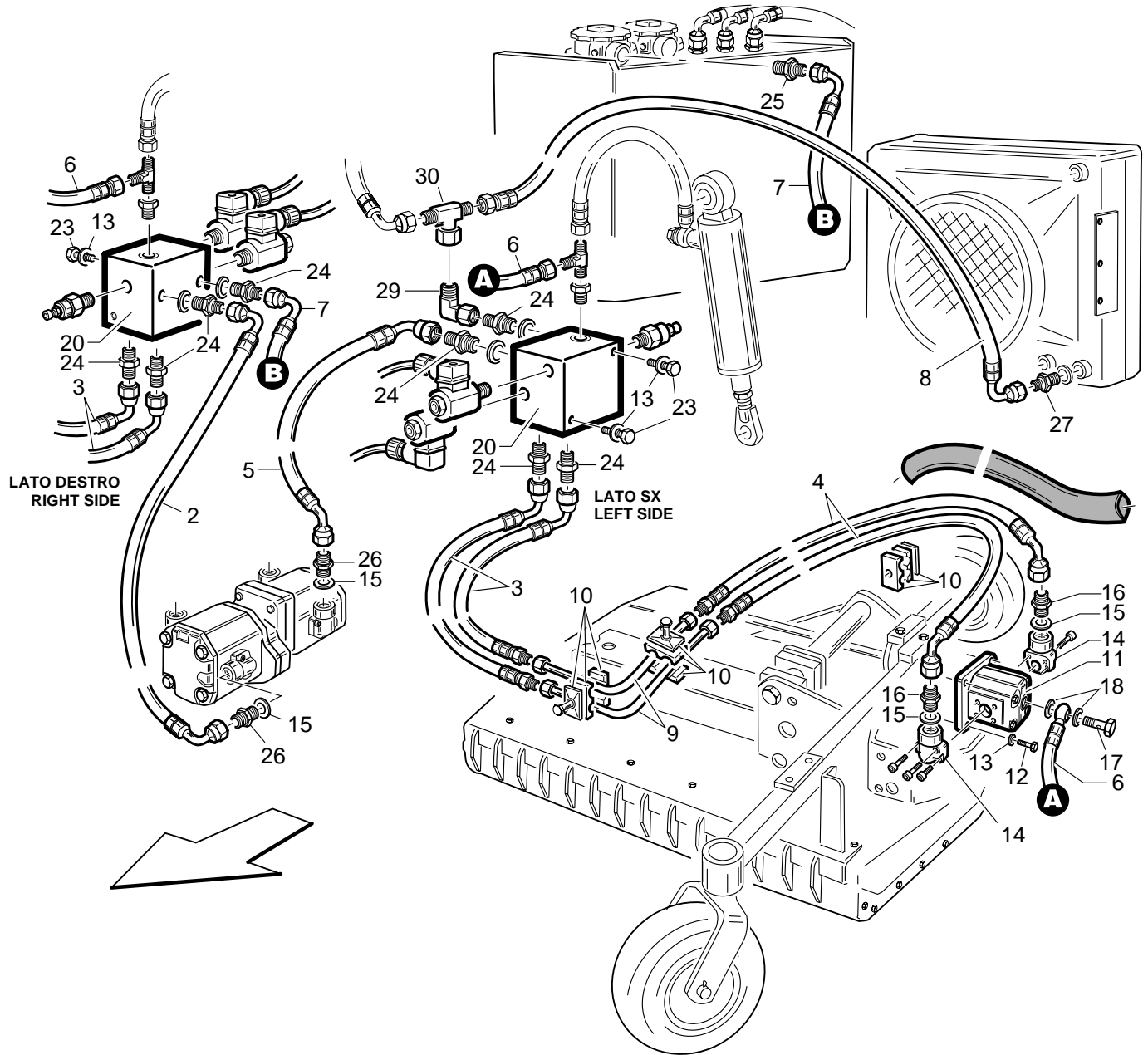
**Gianni  
Ferrari**

**P56070**

**A - 46**

29/10/2004

**cm.100 WRD**



| Ref. | Leg. | Code          | Q.ty | Ref. | Leg. | Code          | Q.ty | Ref. | Leg. | Code          | Q.ty |
|------|------|---------------|------|------|------|---------------|------|------|------|---------------|------|
| 2    | DX   | 00.41.00.2340 | 1    | 10   |      | 00.41.00.0441 | 2    | 20   |      | 00.41.00.2240 | 1    |
| 3    |      | 00.41.00.2350 | 2    | 11   |      | 00.54.00.1120 | 1    | 23   |      | 00.92.05.1070 | 2    |
| 4    |      | 00.41.00.2360 | 2    | 12   |      | 00.92.05.0120 | 4    | 24   |      | 00.41.00.0822 | 4    |
| 5    | SX   | 00.41.00.2370 | 1    | 13   |      | 00.68.01.0030 | 6    | 25   | DX   | 00.41.00.0826 | 1    |
| 6    |      | 00.41.00.2380 | 1    | 14   |      | 00.41.00.0188 | 2    | 26   |      | 00.41.00.0819 | 1    |
| 7    | DX   | 00.41.00.2390 | 1    | 15   |      | 00.41.00.0071 | 3    | 27   | SN   | 00.41.00.0823 | 1    |
| 8    | SN   | 00.41.00.2400 | 1    | 16   |      | 00.41.00.0819 | 2    | 29   | SN   | 00.41.00.0945 | 1    |
| 9    | DX   | 00.41.00.2460 | 2    | 17   |      | 00.41.00.0120 | 1    | 30   | SN   | 00.41.00.1245 | 1    |
| 9    | SN   | 00.41.00.2470 | 2    | 18   |      | 00.41.00.0060 | 2    |      |      |               |      |

28.10.2004



P R O F E S S I O N A L M O W E R S

GIANNI FERRARI s.r.l. • Via Vespucci, 53 (Zona Ind. Ranaro) • 42046 REGGIOLO (RE) Italy • Tel. 0522 / 973697 • Fax 0522 / 973707

[www.gianniferrari.com](http://www.gianniferrari.com) Email: [info@gianniferrari.com](mailto:info@gianniferrari.com)



# Gianni Ferrari

A - 42

A - 43

A - 44

A - 45

A - 46

## Turbo

cm. 100 - WRD

PIATTO LATERALE DS & SN CM. 100 SCARICO POSTERIORE

TONDEUSE LATÉRALE D & G CM. 100 EJECTION ARRIERE

SEITLICHES MÄHWERK R & L CM. 100 HECKAUSWURF

SIDE MOWERDECK RH & LH CM. 100 REAR DISCHARGE



**CATALOGO PARTI DI RICAMBIO**  
**CATALOGUE PIECES DETACHEES**  
**ERSATZTEILKATALOG**  
**PARTS MANUAL**

03. 2006



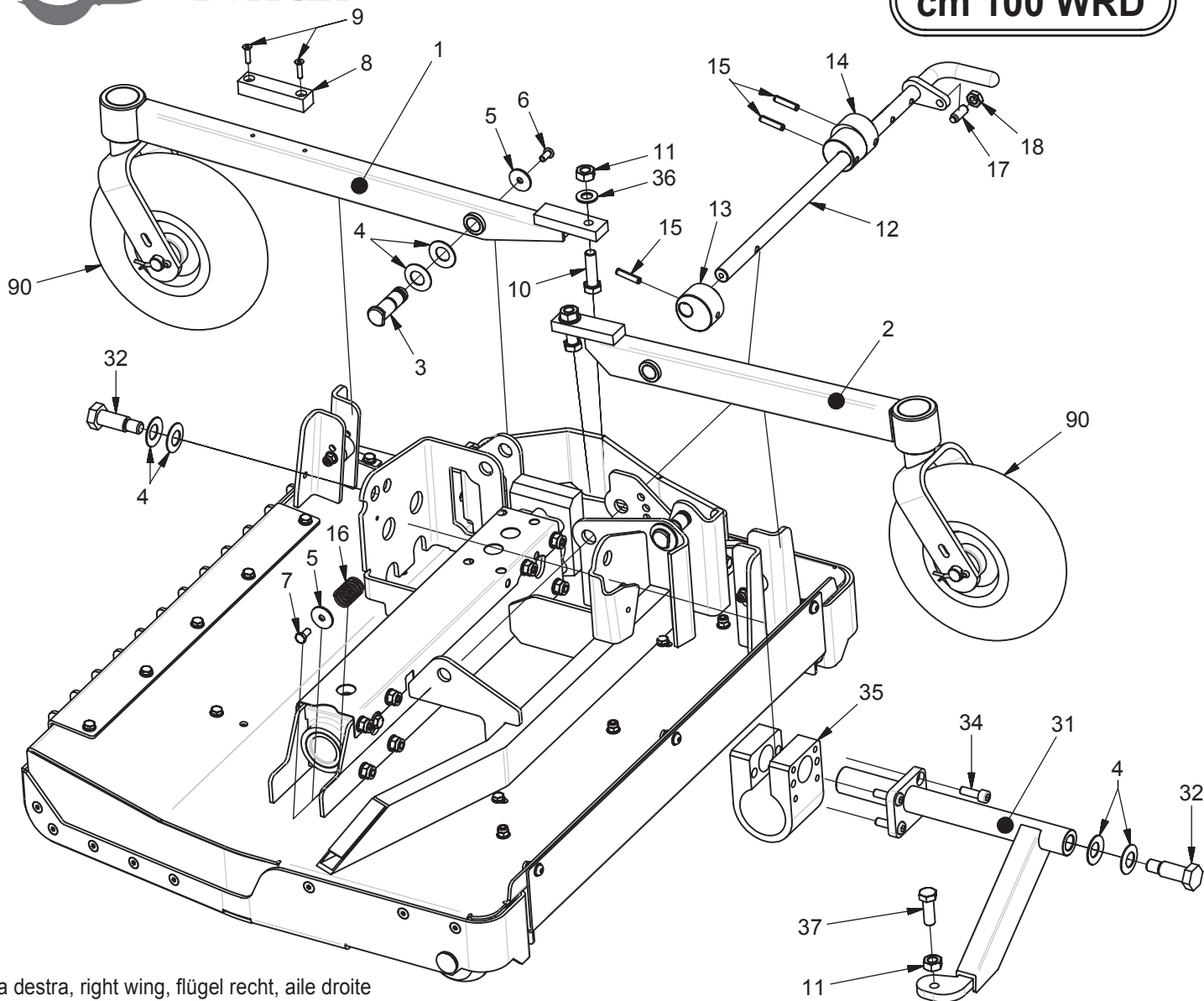
Gianni Ferrari

P56070

A - 42

26/10/2004

cm 100 WRD

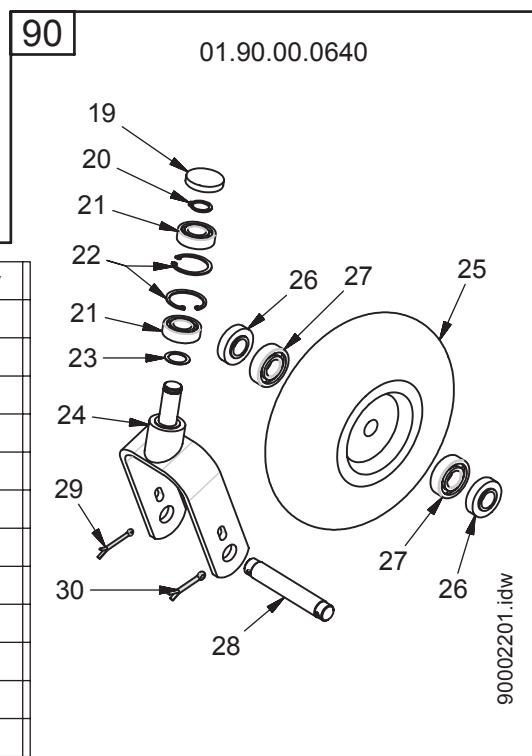


Dx= ala destra, right wing, flügel recht, aile droite  
Sn= ala sinistra, left wing, flügel links, aile gauche

| Ref. | Leg. | Code          | Q.ty | Ref. | Leg. | Code          | Q.ty |
|------|------|---------------|------|------|------|---------------|------|
| 31   | Dx   | 01.50.00.8920 | 1    | 90   |      | 01.90.00.0640 | 2    |
| 31   | Sn   | 01.50.00.8930 | 1    | 37   |      | 00.92.08.1080 | 1    |
| 18   |      | 00.26.03.0090 | 1    | 36   |      | 00.68.01.0060 | 2    |
| 17   |      | 00.96.07.1090 | 1    | 35   |      | 01.01.00.0320 | 1    |
| 16   |      | 00.47.00.0230 | 1    | 34   |      | 00.90.07.0110 | 4    |
| 15   |      | 00.83.14.0036 | 3    | 32   |      | 01.40.00.3140 | 2    |

|    |  |               |   |
|----|--|---------------|---|
| 14 |  | 01.40.00.4030 | 1 |
| 13 |  | 01.40.00.3680 | 1 |
| 12 |  | 01.50.00.9020 | 1 |
| 11 |  | 00.26.02.0100 | 3 |
| 10 |  | 00.92.08.1100 | 2 |
| 9  |  | 00.95.04.0080 | 2 |
| 8  |  | 01.29.00.0080 | 1 |
| 7  |  | 00.92.05.1040 | 1 |
| 6  |  | 00.90.06.3060 | 2 |
| 5  |  | 00.68.03.0040 | 3 |
| 4  |  | 01.48.00.0186 | 8 |
| 3  |  | 01.50.00.2310 | 2 |
| 2  |  | 01.50.00.8900 | 1 |
| 1  |  | 01.50.00.8910 | 1 |

| Ref. | Leg. | Code          | Q.ty |
|------|------|---------------|------|
| 30   |      | 00.18.04.0075 | 1    |
| 29   |      | 00.18.04.0065 | 1    |
| 28   |      | 01.50.00.0800 | 1    |
| 27   |      | 00.22.00.0230 | 2    |
| 26   |      | 01.30.00.0180 | 2    |
| 25   |      | 00.72.00.0200 | 1    |
| 24   |      | 01.50.00.1241 | 1    |
| 23   |      | 00.68.06.0156 | 1    |
| 22   |      | 00.03.01.0042 | 2    |
| 21   |      | 00.22.00.0210 | 2    |
| 20   |      | 00.03.10.0020 | 1    |
| 19   |      | 00.07.06.0010 | 1    |





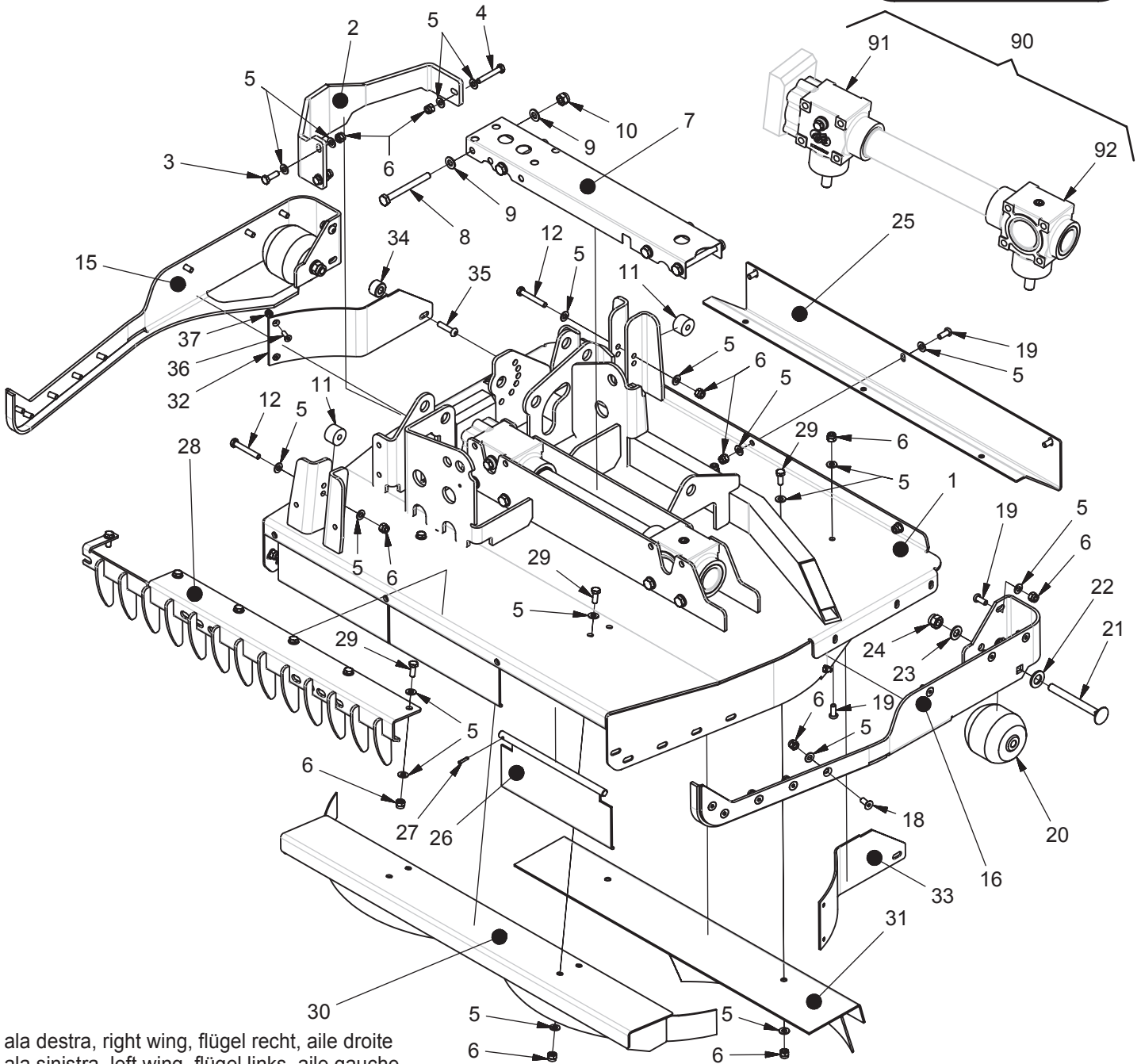
**Gianni  
Ferrari**

**P56070**

**A - 43**

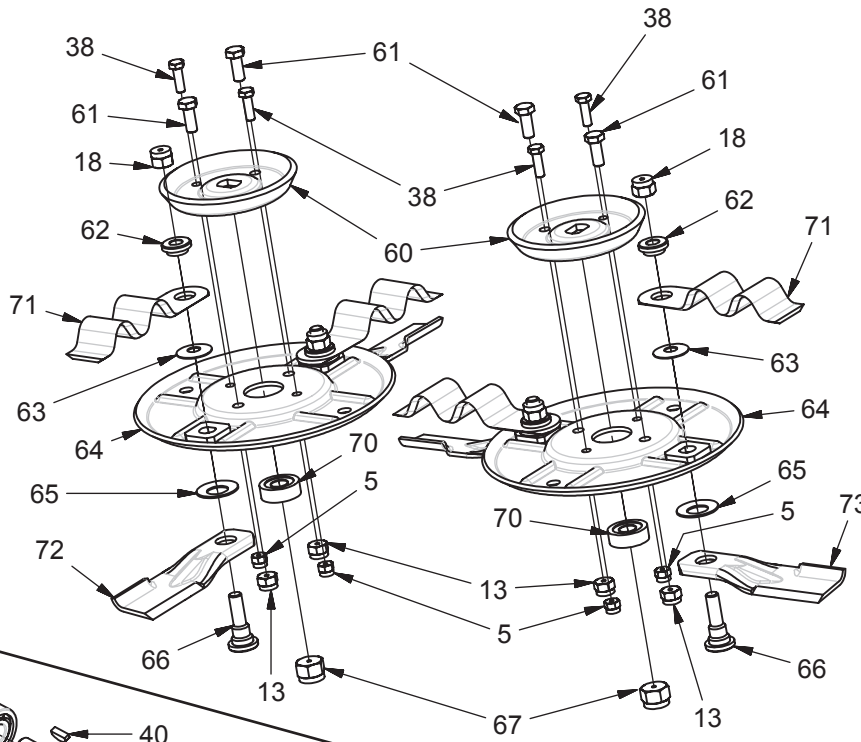
26/10/2004

**cm 100 WRD**

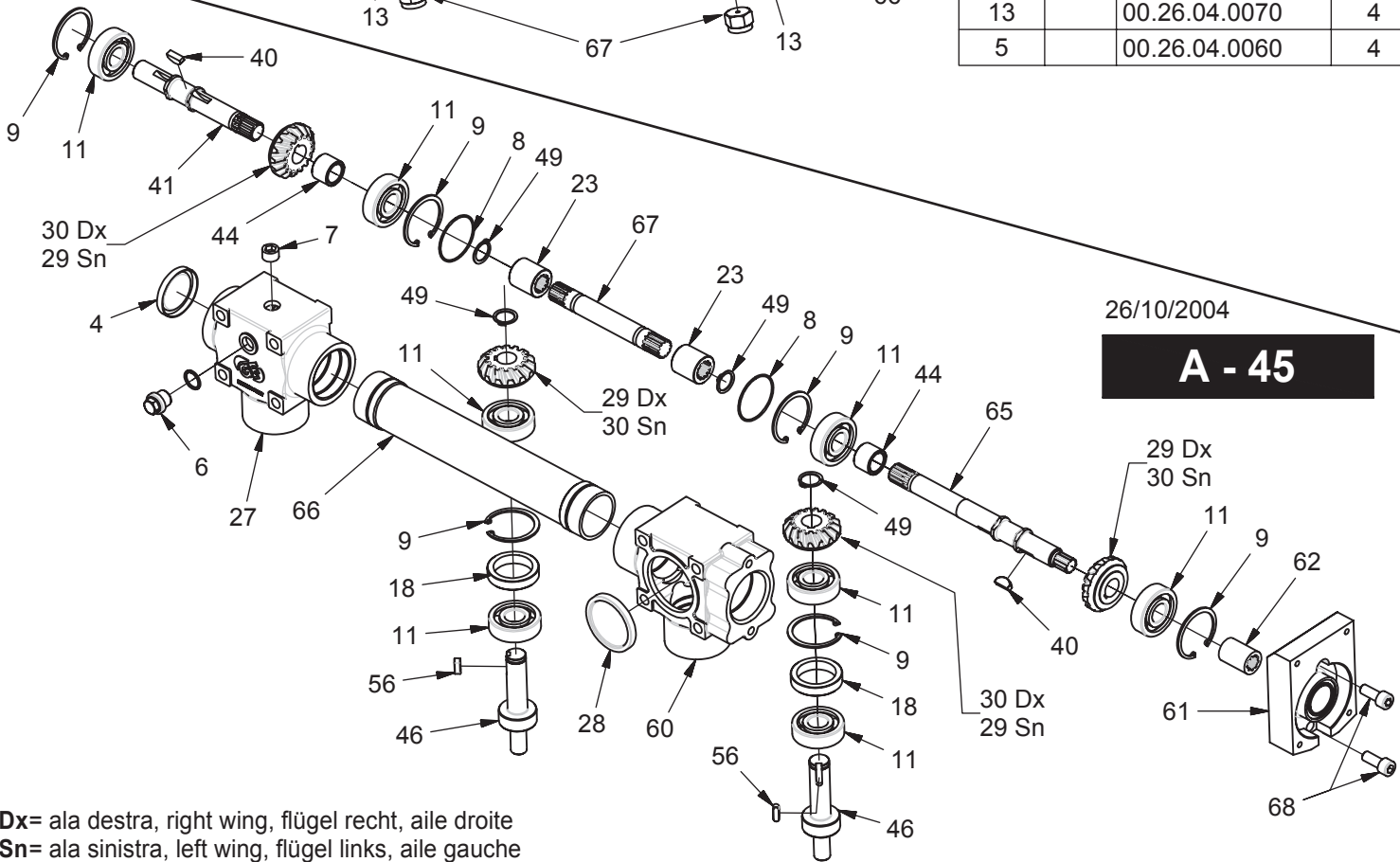


**Dx=** ala destra, right wing, flügel recht, aile droite  
**Sn=** ala sinistra, left wing, flügel links, aile gauche

| Ref. | Leg. | Code          | Q.ty | Ref. | Leg. | Code          | Q.ty | Ref. | Leg. | Code          | Q.ty |
|------|------|---------------|------|------|------|---------------|------|------|------|---------------|------|
| 15   |      | 01.50.00.8870 | 1    | 29   |      | 00.92.05.1070 | 10   | 92   | Dx   | 01.90.00.1823 | 1    |
| 12   |      | 00.92.05.0150 | 2    | 28   | Dx   | 01.50.01.1020 | 1    | 92   | Sn   | 01.90.00.1821 | 1    |
| 11   |      | 00.55.01.0300 | 2    | 28   | Sn   | 01.50.01.1030 | 1    | 91   | Dx   | 01.90.00.2121 | 1    |
| 10   |      | 00.26.04.0070 | 8    | 27   |      | 00.83.09.1020 | 3    | 91   | Sn   | 01.90.00.2131 | 1    |
| 9    |      | 00.68.01.0040 | 16   | 26   |      | 01.50.00.8890 | 3    | 90   | Dx   | 01.90.00.2120 | 1    |
| 8    |      | 00.92.06.0220 | 8    | 25   |      | 01.50.01.0010 | 1    | 90   | Sn   | 01.90.00.2130 | 1    |
| 7    |      | 01.50.01.0460 | 1    | 24   |      | 00.26.04.0080 | 2    | 37   |      | 00.26.05.0040 | 4    |
| 6    |      | 00.26.04.0060 | 41   | 23   |      | 00.68.01.0050 | 2    | 36   |      | 00.95.04.0060 | 4    |
| 5    |      | 00.68.01.0030 | 59   | 22   |      | 00.68.01.0070 | 2    | 35   |      | 00.90.06.3120 | 2    |
| 4    |      | 00.92.05.0140 | 1    | 21   |      | 00.97.02.5120 | 2    | 34   |      | 01.50.00.0770 | 2    |
| 3    |      | 00.92.05.1080 | 2    | 20   |      | 00.72.00.0240 | 2    | 33   |      | 01.50.01.1460 | 1    |
| 2    | Dx   | 01.50.01.0120 | 1    | 19   |      | 00.90.06.3080 | 8    | 32   |      | 01.50.01.1450 | 1    |
| 2    | Sn   | 01.50.00.0130 | 1    | 18   |      | 00.95.05.0040 | 16   | 31   |      | 01.50.01.1440 | 1    |
| 1    | Dx   | 01.50.00.8830 | 1    | 16   |      | 01.50.00.8880 | 1    | 30   |      | 01.50.01.1430 | 1    |
| 1    | Sn   | 01.50.00.8840 | 1    |      |      |               |      |      |      |               |      |



| Ref. | Leg. | Code          | Q.ty |
|------|------|---------------|------|
| 73   |      | 01.33.01.0220 | 2    |
| 72   |      | 01.33.01.0210 | 2    |
| 71   |      | 01.33.01.0200 | 4    |
| 70   |      | 01.40.00.2360 | 2    |
| 67   |      | 00.26.04.1100 | 2    |
| 66   |      | 01.40.00.1000 | 4    |
| 65   |      | 01.48.00.0186 | 4    |
| 64   |      | 01.50.00.2740 | 2    |
| 63   |      | 01.48.00.0160 | 4    |
| 62   |      | 01.40.00.1010 | 4    |
| 61   |      | 00.92.06.1060 | 4    |
| 60   |      | 01.50.00.0692 | 2    |
| 38   |      | 00.92.05.1080 | 4    |
| 18   |      | 00.26.04.0080 | 4    |
| 13   |      | 00.26.04.0070 | 4    |
| 5    |      | 00.26.04.0060 | 4    |



26/10/2004

**A - 45**

**Dx=** ala destra, right wing, flügel recht, aile droite  
**Sn=** ala sinistra, left wing, flügel links, aile gauche

| Ref. | Leg. | Code          | Q.ty | Ref. | Leg. | Code          | Q.ty | Ref. | Leg. | Code          | Q.ty |
|------|------|---------------|------|------|------|---------------|------|------|------|---------------|------|
| 23   |      | 01.40.00.0430 | 2    | 46   |      | 01.40.00.0372 | 2    | 68   |      | 00.90.07.0100 | 2    |
| 18   |      | 01.40.00.0440 | 2    | 44   |      | 01.40.00.2180 | 2    | 67   |      | 01.40.00.3100 | 1    |
| 11   |      | 00.22.00.0400 | 8    | 41   |      | 01.40.00.0385 | 1    | 66   |      | 01.40.00.3130 | 1    |
| 9    |      | 00.03.01.0052 | 6    | 40   |      | 01.40.00.2052 | 2    | 65   |      | 01.40.00.3630 | 1    |
| 8    |      | 00.06.04.0490 | 2    | 30   |      | 00.40.00.0132 | 2    | 62   |      | 01.40.00.3590 | 1    |
| 7    |      | 01.85.01.0033 | 1    | 29   |      | 01.40.00.0131 | 2    | 61   |      | 01.40.00.3610 | 1    |
| 6    |      | 00.85.01.0031 | 2    | 28   |      | 00.07.06.0062 | 2    | 60   |      | 01.01.00.0340 | 1    |
| 4    |      | 00.07.06.0020 | 1    | 27   |      | 01.01.00.0070 | 1    | 56   |      | 00.43.06.0018 | 2    |
|      |      |               |      |      |      |               |      | 49   |      | 00.03.10.0020 | 4    |



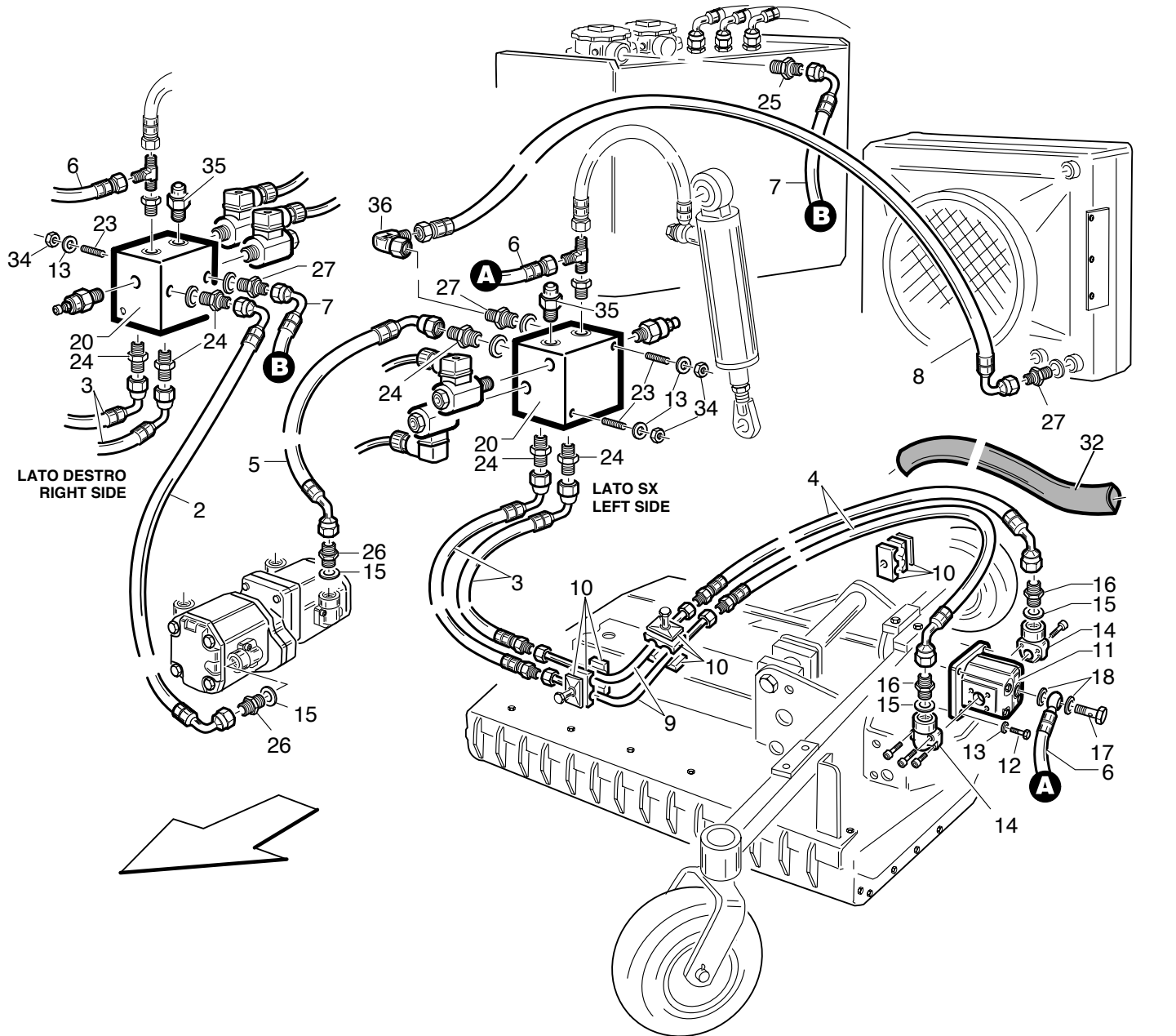
**Gianni  
Ferrari**

**P56070**

**A - 46**

16/03/2006

**cm.100 WRD**



| Ref. | Leg. | Code          | Q.ty | Ref. | Leg. | Code          | Q.ty | Ref. | Leg. | Code          | Q.ty    |
|------|------|---------------|------|------|------|---------------|------|------|------|---------------|---------|
| 2    | DX   | 00.41.00.2340 | 1    | 11   |      | 00.54.00.1120 | 2    | 24   |      | 00.41.00.0822 | 6       |
| 3    |      | 00.41.00.2350 | 4    | 12   |      | 00.92.05.0120 | 8    | 25   |      | 00.41.00.0826 | 1       |
| 4    |      | 00.41.00.2360 | 4    | 13   |      | 00.68.01.0030 | 12   | 26   |      | 00.41.00.0819 | 2       |
| 5    | SX   | 00.41.00.2370 | 1    | 14   |      | 00.41.00.0188 | 4    | 27   |      | 00.41.00.0823 | 3       |
| 6    |      | 00.41.00.2380 | 2    | 15   |      | 00.41.00.0071 | 6    | 32   |      | 00.38.03.0065 | mt. 4,6 |
| 7    | DX   | 00.41.00.2390 | 1    | 16   |      | 00.41.00.0819 | 4    | 34   |      | 00.26.02.0060 | 4       |
| 8    | SN   | 00.41.00.2400 | 1    | 17   |      | 00.41.00.0120 | 2    | 35   |      | 00.41.00.3085 | 2       |
| 9    | DX   | 00.41.00.2460 | 2    | 18   |      | 00.41.00.0060 | 4    | 36   |      | 00.41.00.0945 | 1       |
| 9    | SN   | 00.41.00.2470 | 2    | 20   |      | 00.41.00.2240 | 2    |      |      |               |         |
| 10   |      | 00.41.00.0441 | 4    | 23   |      | 00.96.05.0120 | 4    |      |      |               |         |



16.03.2006



**P R O F E S S I O N A L M O W E R S**

GIANNI FERRARI s.r.l. • Via Vespucci, 53 (Zona Ind. Ranaro) • 42046 REGGIOLO (RE) Italy • Tel. 0522 / 973697 • Fax 0522 / 973707

[www.gianniferrari.com](http://www.gianniferrari.com) Email:[info@gianniferrari.com](mailto:info@gianniferrari.com)



# Gianni Ferrari

A - 42

A - 43

A - 44

A - 45

A - 46

**TURBO**

cm. 100 - WRD

PIATTO LATERALE DS & SN CM. 100 SCARICO POSTERIORE

TONDEUSE LATÉRALE D & G CM. 100 EJECTION ARRIERE

SEITLICHES MÄHWERK R & L CM. 100 HECKAUSWURF

SIDE MOWERDECK RH & LH CM. 100 REAR DISCHARGE



**CATALOGO PARTI DI RICAMBIO**  
**CATALOGUE PIECES DETACHEES**  
**ERSATZTEILKATALOG**  
**PARTS MANUAL**

11.2006



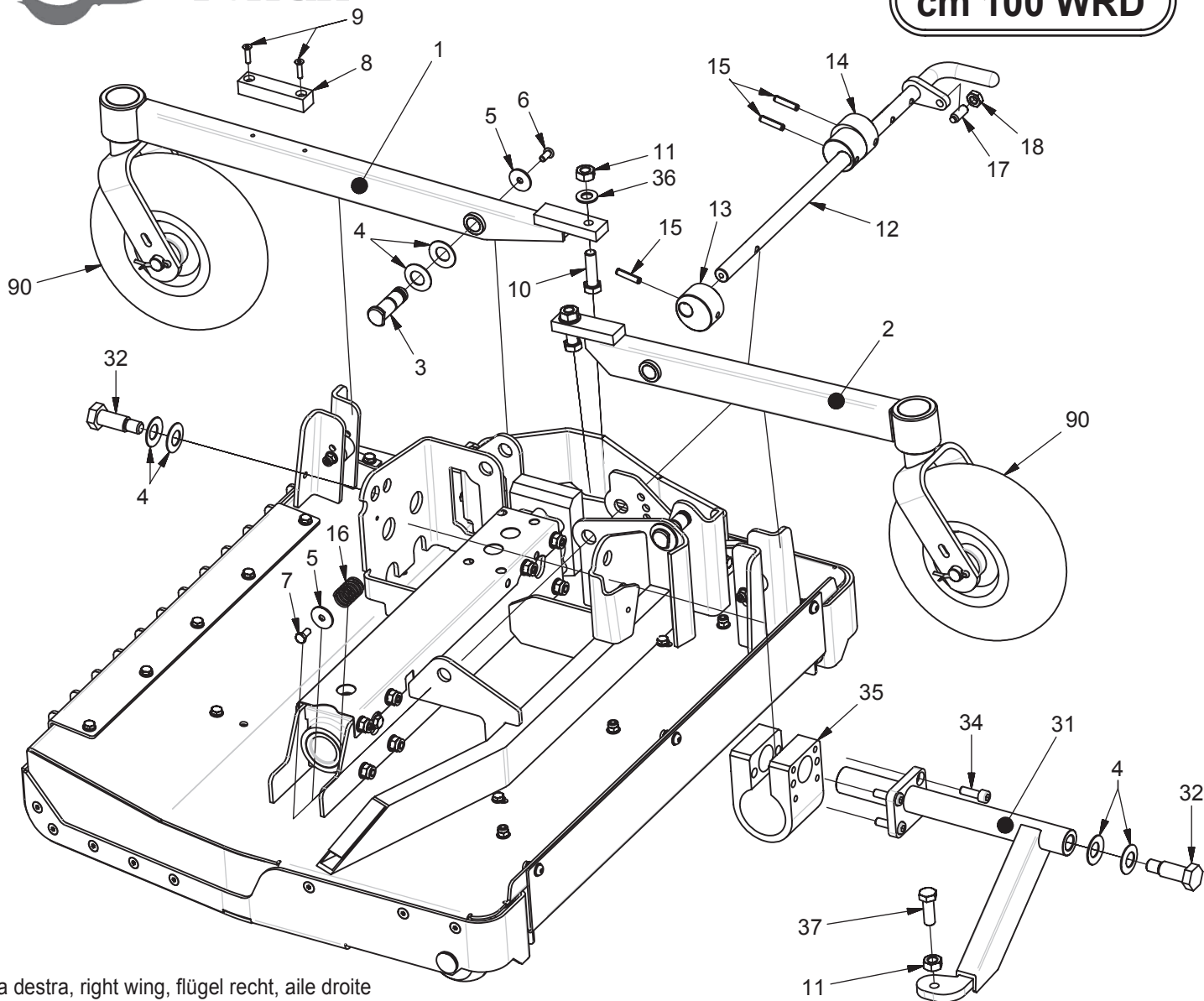
**Gianni Ferrari**

**P56070**

**A - 42**

26/10/2004

**cm 100 WRD**

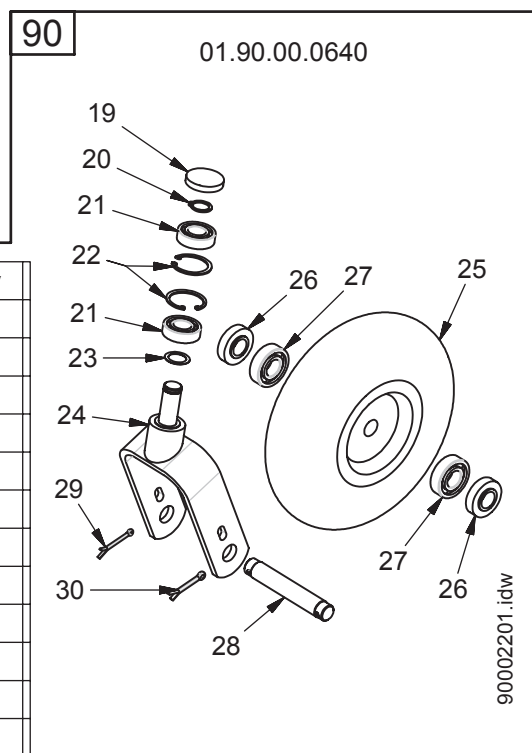


**Dx=** ala destra, right wing, flügel recht, aile droite  
**Sn=** ala sinistra, left wing, flügel links, aile gauche

| Ref. | Leg. | Code          | Q.ty | Ref. | Leg. | Code          | Q.ty |
|------|------|---------------|------|------|------|---------------|------|
| 31   | Dx   | 01.50.00.8920 | 1    | 90   |      | 01.90.00.0640 | 2    |
| 31   | Sn   | 01.50.00.8930 | 1    | 37   |      | 00.92.08.1080 | 1    |
| 18   |      | 00.26.03.0090 | 1    | 36   |      | 00.68.01.0060 | 2    |
| 17   |      | 00.96.07.1090 | 1    | 35   |      | 01.01.00.0320 | 1    |
| 16   |      | 00.47.00.0230 | 1    | 34   |      | 00.90.07.0110 | 4    |
| 15   |      | 00.83.14.0036 | 3    | 32   |      | 01.40.00.3140 | 2    |

|    |  |               |   |
|----|--|---------------|---|
| 14 |  | 01.40.00.4030 | 1 |
| 13 |  | 01.40.00.3680 | 1 |
| 12 |  | 01.50.00.9020 | 1 |
| 11 |  | 00.26.02.0100 | 3 |
| 10 |  | 00.92.08.1100 | 2 |
| 9  |  | 00.95.04.0080 | 2 |
| 8  |  | 01.29.00.0080 | 1 |
| 7  |  | 00.92.05.1040 | 1 |
| 6  |  | 00.90.06.3060 | 2 |
| 5  |  | 00.68.03.0040 | 3 |
| 4  |  | 01.48.00.0186 | 8 |
| 3  |  | 01.50.00.2310 | 2 |
| 2  |  | 01.50.00.8900 | 1 |
| 1  |  | 01.50.00.8910 | 1 |

| Ref. | Leg. | Code          | Q.ty |
|------|------|---------------|------|
| 30   |      | 00.18.04.0075 | 1    |
| 29   |      | 00.18.04.0065 | 1    |
| 28   |      | 01.50.00.0800 | 1    |
| 27   |      | 00.22.00.0230 | 2    |
| 26   |      | 01.30.00.0180 | 2    |
| 25   |      | 00.72.00.0200 | 1    |
| 24   |      | 01.50.00.1241 | 1    |
| 23   |      | 00.68.06.0156 | 1    |
| 22   |      | 00.03.01.0042 | 2    |
| 21   |      | 00.22.00.0210 | 2    |
| 20   |      | 00.03.10.0020 | 1    |
| 19   |      | 00.07.06.0010 | 1    |



90002201.idw



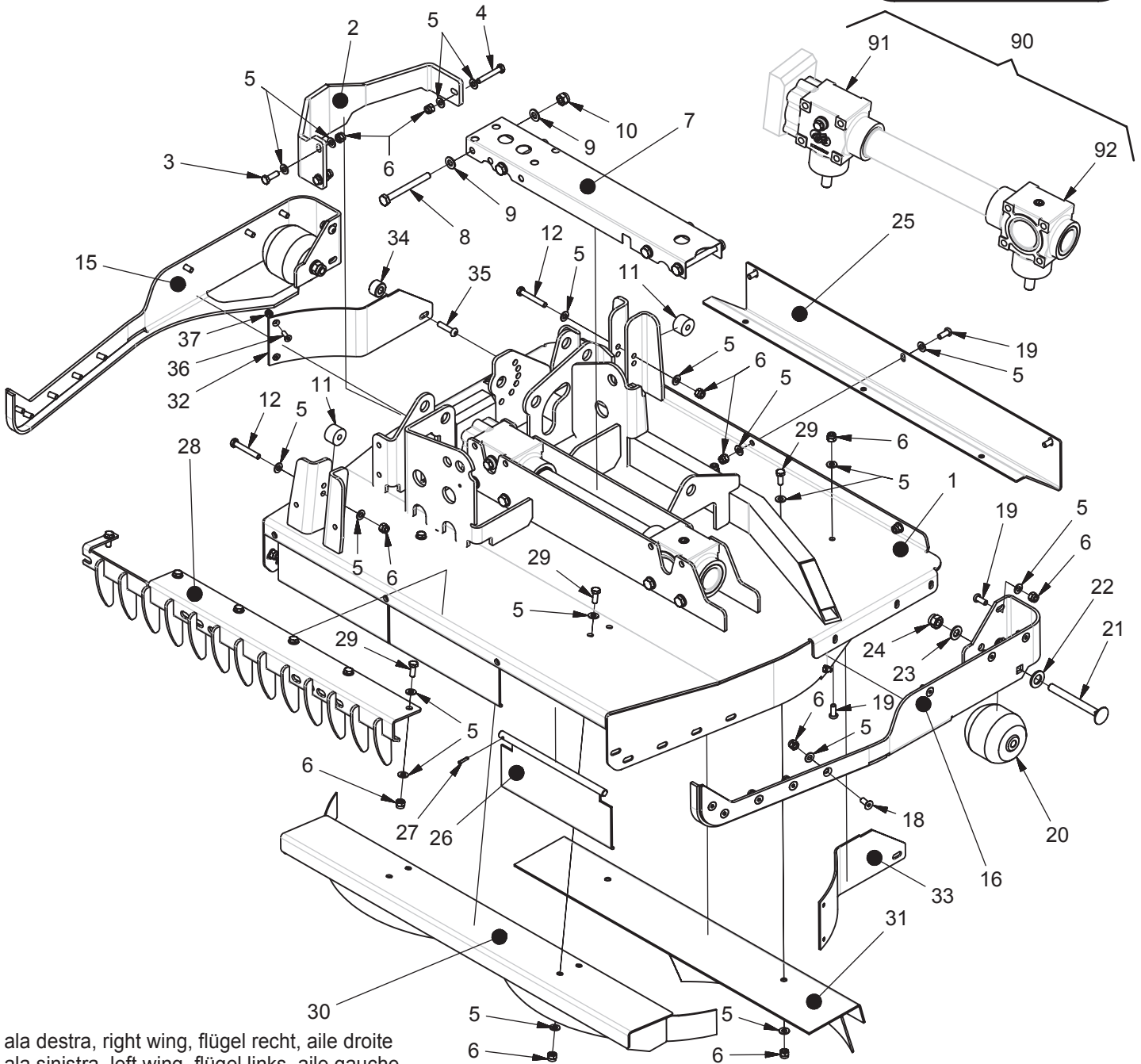
**Gianni  
Ferrari**

**P56070**

**A - 43**

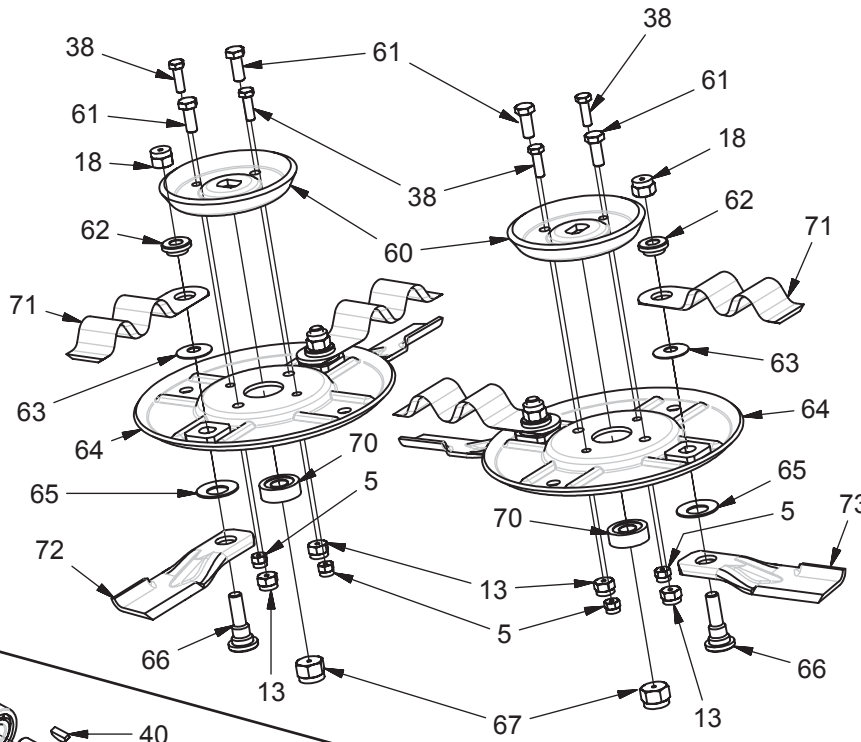
26/10/2004

**cm 100 WRD**

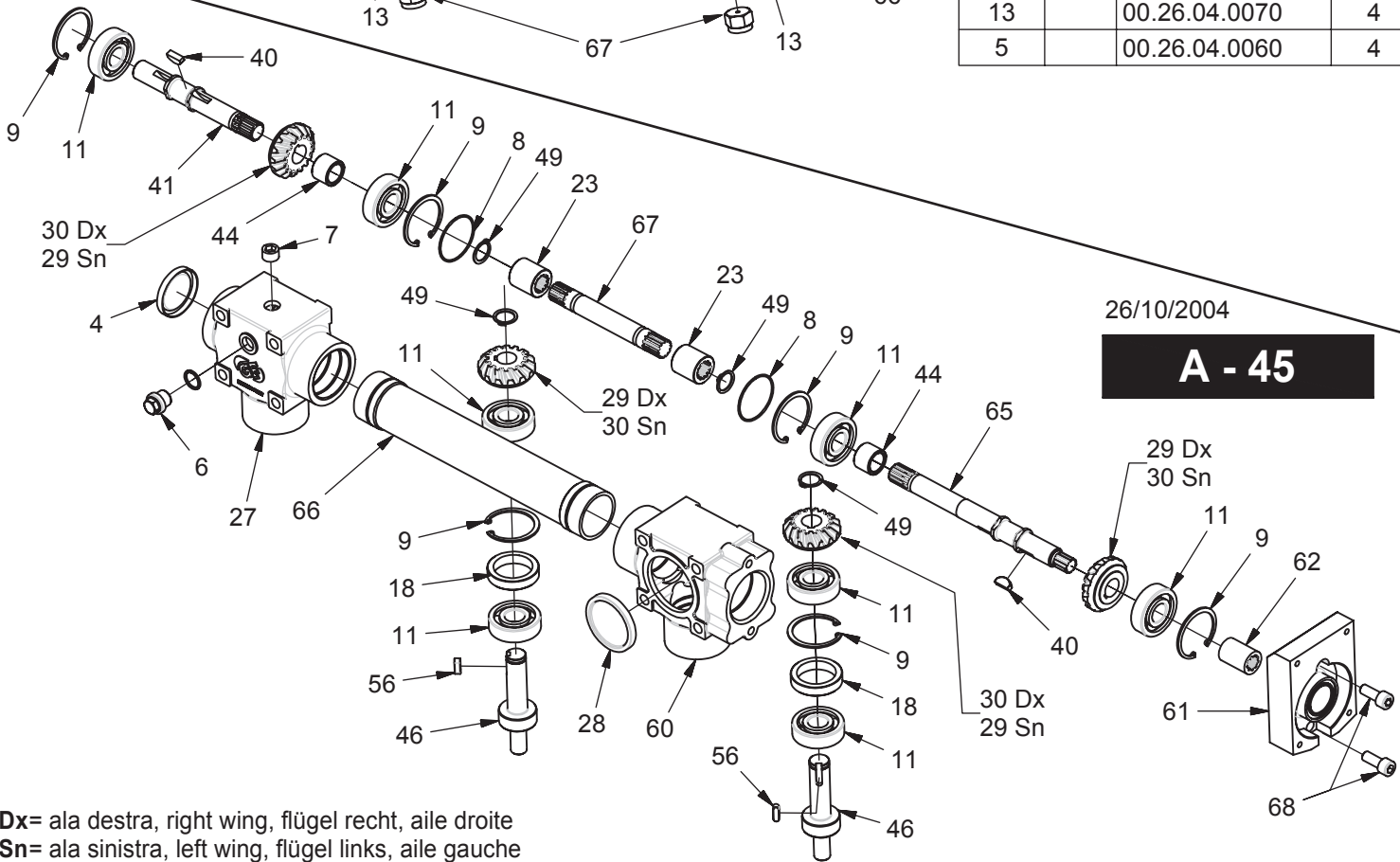


**Dx=** ala destra, right wing, flügel recht, aile droite  
**Sn=** ala sinistra, left wing, flügel links, aile gauche

| Ref. | Leg. | Code          | Q.ty | Ref. | Leg. | Code          | Q.ty | Ref. | Leg. | Code          | Q.ty |
|------|------|---------------|------|------|------|---------------|------|------|------|---------------|------|
| 15   |      | 01.50.00.8870 | 1    | 29   |      | 00.92.05.1070 | 10   | 92   | Dx   | 01.90.00.1823 | 1    |
| 12   |      | 00.92.05.0150 | 2    | 28   | Dx   | 01.50.01.1020 | 1    | 92   | Sn   | 01.90.00.1821 | 1    |
| 11   |      | 00.55.01.0300 | 2    | 28   | Sn   | 01.50.01.1030 | 1    | 91   | Dx   | 01.90.00.2121 | 1    |
| 10   |      | 00.26.04.0070 | 8    | 27   |      | 00.83.09.1020 | 3    | 91   | Sn   | 01.90.00.2131 | 1    |
| 9    |      | 00.68.01.0040 | 16   | 26   |      | 01.50.00.8890 | 3    | 90   | Dx   | 01.90.00.2120 | 1    |
| 8    |      | 00.92.06.0220 | 8    | 25   |      | 01.50.01.0010 | 1    | 90   | Sn   | 01.90.00.2130 | 1    |
| 7    |      | 01.50.01.0460 | 1    | 24   |      | 00.26.04.0080 | 2    | 37   |      | 00.26.05.0040 | 4    |
| 6    |      | 00.26.04.0060 | 41   | 23   |      | 00.68.01.0050 | 2    | 36   |      | 00.95.04.0060 | 4    |
| 5    |      | 00.68.01.0030 | 59   | 22   |      | 00.68.01.0070 | 2    | 35   |      | 00.90.06.3120 | 2    |
| 4    |      | 00.92.05.0140 | 1    | 21   |      | 00.97.02.5120 | 2    | 34   |      | 01.50.00.0770 | 2    |
| 3    |      | 00.92.05.1080 | 2    | 20   |      | 00.72.00.0240 | 2    | 33   |      | 01.50.01.1460 | 1    |
| 2    | Dx   | 01.50.01.0120 | 1    | 19   |      | 00.90.06.3080 | 8    | 32   |      | 01.50.01.1450 | 1    |
| 2    | Sn   | 01.50.00.0130 | 1    | 18   |      | 00.95.05.0040 | 16   | 31   |      | 01.50.01.1440 | 1    |
| 1    | Dx   | 01.50.00.8830 | 1    | 16   |      | 01.50.00.8880 | 1    | 30   |      | 01.50.01.1430 | 1    |
| 1    | Sn   | 01.50.00.8840 | 1    |      |      |               |      |      |      |               |      |



| Ref. | Leg. | Code          | Q.ty |
|------|------|---------------|------|
| 73   |      | 01.33.01.0220 | 2    |
| 72   |      | 01.33.01.0210 | 2    |
| 71   |      | 01.33.01.0200 | 4    |
| 70   |      | 01.40.00.2360 | 2    |
| 67   |      | 00.26.04.1100 | 2    |
| 66   |      | 01.40.00.1000 | 4    |
| 65   |      | 01.48.00.0186 | 4    |
| 64   |      | 01.50.00.2740 | 2    |
| 63   |      | 01.48.00.0160 | 4    |
| 62   |      | 01.40.00.1010 | 4    |
| 61   |      | 00.92.06.1060 | 4    |
| 60   |      | 01.50.00.0692 | 2    |
| 38   |      | 00.92.05.1080 | 4    |
| 18   |      | 00.26.04.0080 | 4    |
| 13   |      | 00.26.04.0070 | 4    |
| 5    |      | 00.26.04.0060 | 4    |



26/10/2004

**A - 45**

**Dx=** ala destra, right wing, flügel recht, aile droite  
**Sn=** ala sinistra, left wing, flügel links, aile gauche

| Ref. | Leg. | Code          | Q.ty | Ref. | Leg. | Code          | Q.ty | Ref. | Leg. | Code          | Q.ty |
|------|------|---------------|------|------|------|---------------|------|------|------|---------------|------|
| 23   |      | 01.40.00.0430 | 2    | 46   |      | 01.40.00.0372 | 2    | 68   |      | 00.90.07.0100 | 2    |
| 18   |      | 01.40.00.0440 | 2    | 44   |      | 01.40.00.2180 | 2    | 67   |      | 01.40.00.3100 | 1    |
| 11   |      | 00.22.00.0400 | 8    | 41   |      | 01.40.00.0385 | 1    | 66   |      | 01.40.00.3130 | 1    |
| 9    |      | 00.03.01.0052 | 6    | 40   |      | 01.40.00.2052 | 2    | 65   |      | 01.40.00.3630 | 1    |
| 8    |      | 00.06.04.0490 | 2    | 30   |      | 00.40.00.0132 | 2    | 62   |      | 01.40.00.3590 | 1    |
| 7    |      | 01.85.01.0033 | 1    | 29   |      | 01.40.00.0131 | 2    | 61   |      | 01.40.00.3610 | 1    |
| 6    |      | 00.85.01.0031 | 2    | 28   |      | 00.07.06.0062 | 2    | 60   |      | 01.01.00.0340 | 1    |
| 4    |      | 00.07.06.0020 | 1    | 27   |      | 01.01.00.0070 | 1    | 56   |      | 00.43.06.0018 | 2    |
|      |      |               |      |      |      |               |      | 49   |      | 00.03.10.0020 | 4    |



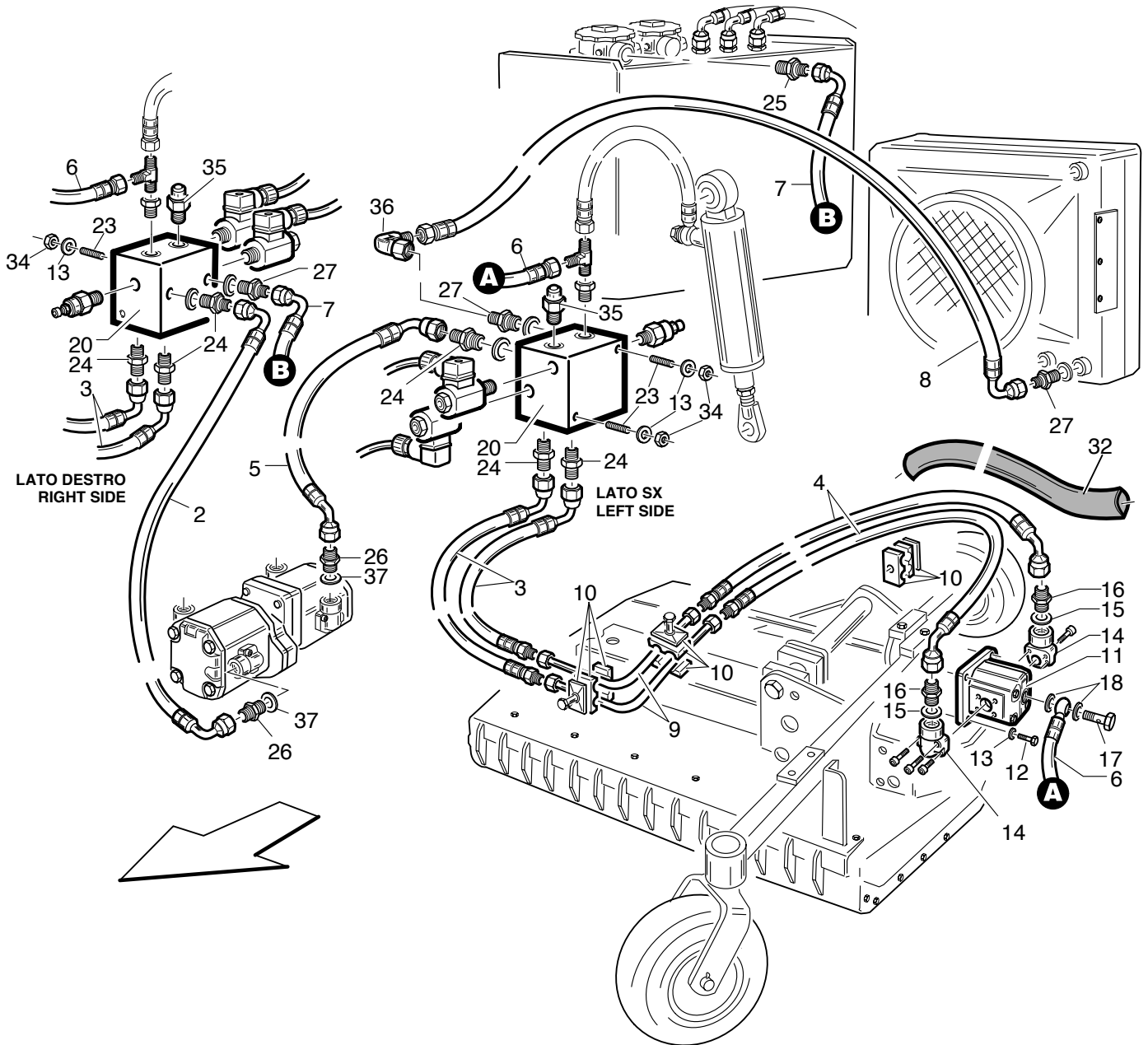
**Gianni  
Ferrari**

**P56070**

**A - 46**

29/11/2006

**cm.100 WRD**



| Ref. | Leg. | Code          | Q.ty | Ref. | Leg. | Code          | Q.ty | Ref. | Leg. | Code          | Q.ty    |
|------|------|---------------|------|------|------|---------------|------|------|------|---------------|---------|
| 2    | DX   | 00.41.00.2340 | 1    | 11   |      | 00.54.00.1120 | 2    | 24   |      | 00.41.00.0822 | 6       |
| 3    |      | 00.41.00.2350 | 4    | 12   |      | 00.92.05.0120 | 8    | 25   |      | 00.41.00.0826 | 1       |
| 4    |      | 00.41.00.2360 | 4    | 13   |      | 00.68.01.0030 | 12   | 26   |      | 00.41.00.0819 | 2       |
| 5    | SX   | 00.41.00.2370 | 1    | 14   |      | 00.41.00.0188 | 4    | 27   |      | 00.41.00.0823 | 3       |
| 6    |      | 00.41.00.2380 | 2    | 15   |      | 00.41.00.0071 | 4    | 32   |      | 00.38.03.0065 | mt. 4,6 |
| 7    | DX   | 00.41.00.2390 | 1    | 16   |      | 00.41.00.0819 | 4    | 34   |      | 00.26.02.0060 | 4       |
| 8    | SN   | 00.41.00.2400 | 1    | 17   |      | 00.41.00.0120 | 2    | 35   |      | 00.41.00.3085 | 2       |
| 9    | DX   | 00.41.00.2460 | 2    | 18   |      | 00.41.00.0060 | 4    | 36   |      | 00.41.00.0945 | 1       |
| 9    | SN   | 00.41.00.2470 | 2    | 20   |      | 00.41.00.2240 | 2    | 37   |      | 00.41.00.1289 | 2       |
| 10   |      | 00.41.00.0441 | 4    | 23   |      | 00.96.05.0120 | 4    |      |      |               |         |

29.11.2006



**P R O F E S S I O N A L M O W E R S**

GIANNI FERRARI s.r.l. • Via Vespucci, 53 (Zona Ind. Ranaro) • 42046 REGGIOLO (RE) Italy • Tel. 0522 / 973697 • Fax 0522 / 973707

[www.gianniferrari.com](http://www.gianniferrari.com) Email: [info@gianniferrari.com](mailto:info@gianniferrari.com)



# Gianni Ferrari

A - 42

A - 43

A - 44

A - 45

A - 46

## TURBO

cm. 100 - WRD

PIATTO LATERALE DS & SN CM. 100 SCARICO POSTERIORE

TONDEUSE LATERALE D & G CM. 100 EJECTION ARRIERE

SEITLICHES MÄHWERK R & L CM. 100 HECKAUSWURF

SIDE MOWERDECK RH & LH CM. 100 REAR DISCHARGE



**CATALOGO PARTI DI RICAMBIO  
CATALOGUE PIECES DETACHEES  
ERSATZTEILKATALOG  
PARTS MANUAL**

10.01.2008





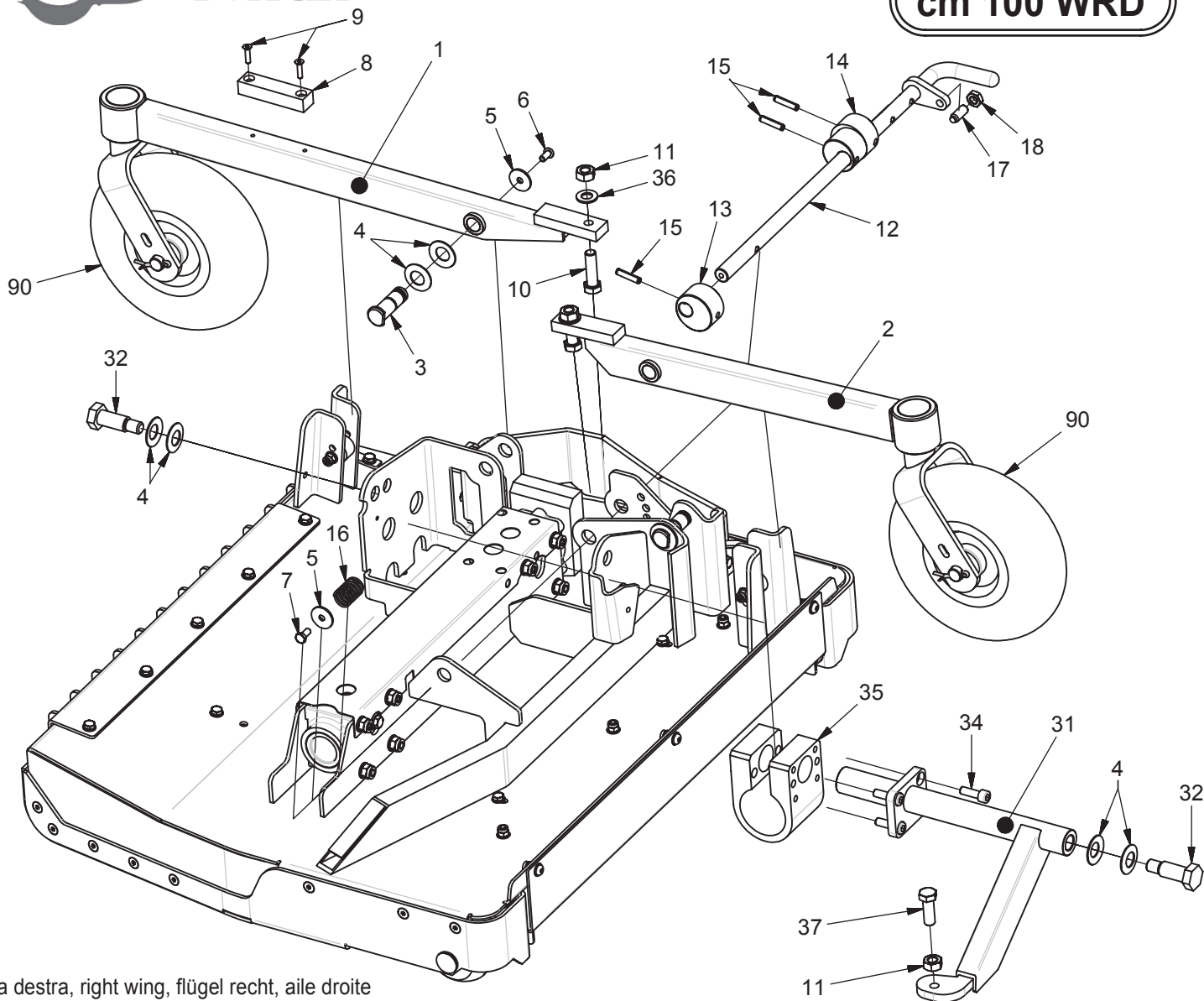
Gianni Ferrari

P56070

A - 42

26/10/2004

cm 100 WRD

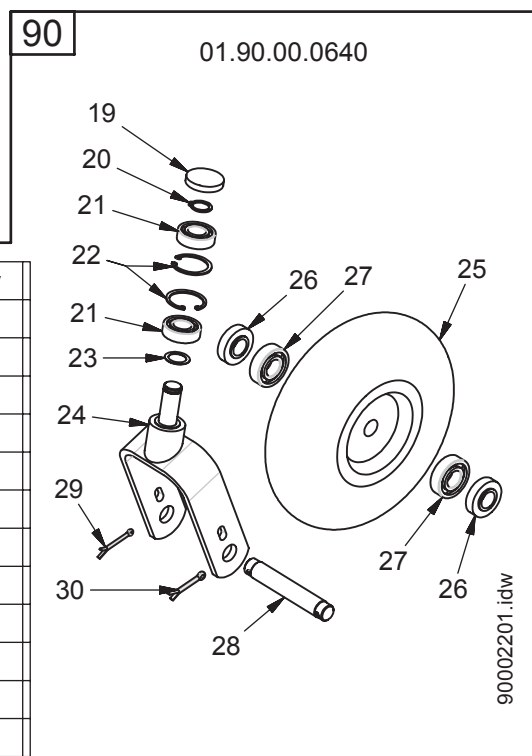


Dx= ala destra, right wing, flügel recht, aile droite  
Sn= ala sinistra, left wing, flügel links, aile gauche

| Ref. | Leg. | Code          | Q.ty | Ref. | Leg. | Code          | Q.ty |
|------|------|---------------|------|------|------|---------------|------|
| 31   | Dx   | 01.50.00.8920 | 1    | 90   |      | 01.90.00.0640 | 2    |
| 31   | Sn   | 01.50.00.8930 | 1    | 37   |      | 00.92.08.1080 | 1    |
| 18   |      | 00.26.03.0090 | 1    | 36   |      | 00.68.01.0060 | 2    |
| 17   |      | 00.96.07.1090 | 1    | 35   |      | 01.01.00.0320 | 1    |
| 16   |      | 00.47.00.0230 | 1    | 34   |      | 00.90.07.0110 | 4    |
| 15   |      | 00.83.14.0036 | 3    | 32   |      | 01.40.00.3140 | 2    |

|    |  |               |   |
|----|--|---------------|---|
| 14 |  | 01.40.00.4030 | 1 |
| 13 |  | 01.40.00.3680 | 1 |
| 12 |  | 01.50.00.9020 | 1 |
| 11 |  | 00.26.02.0100 | 3 |
| 10 |  | 00.92.08.1100 | 2 |
| 9  |  | 00.95.04.0080 | 2 |
| 8  |  | 01.29.00.0080 | 1 |
| 7  |  | 00.92.05.1040 | 1 |
| 6  |  | 00.90.06.3060 | 2 |
| 5  |  | 00.68.03.0040 | 3 |
| 4  |  | 01.48.00.0186 | 8 |
| 3  |  | 01.50.00.2310 | 2 |
| 2  |  | 01.50.00.8900 | 1 |
| 1  |  | 01.50.00.8910 | 1 |

| Ref. | Leg. | Code          | Q.ty |
|------|------|---------------|------|
| 30   |      | 00.18.04.0075 | 1    |
| 29   |      | 00.18.04.0065 | 1    |
| 28   |      | 01.50.00.0800 | 1    |
| 27   |      | 00.22.00.0230 | 2    |
| 26   |      | 01.30.00.0180 | 2    |
| 25   |      | 00.72.00.0200 | 1    |
| 24   |      | 01.50.00.1241 | 1    |
| 23   |      | 00.68.06.0156 | 1    |
| 22   |      | 00.03.01.0042 | 2    |
| 21   |      | 00.22.00.0210 | 2    |
| 20   |      | 00.03.10.0020 | 1    |
| 19   |      | 00.07.06.0010 | 1    |





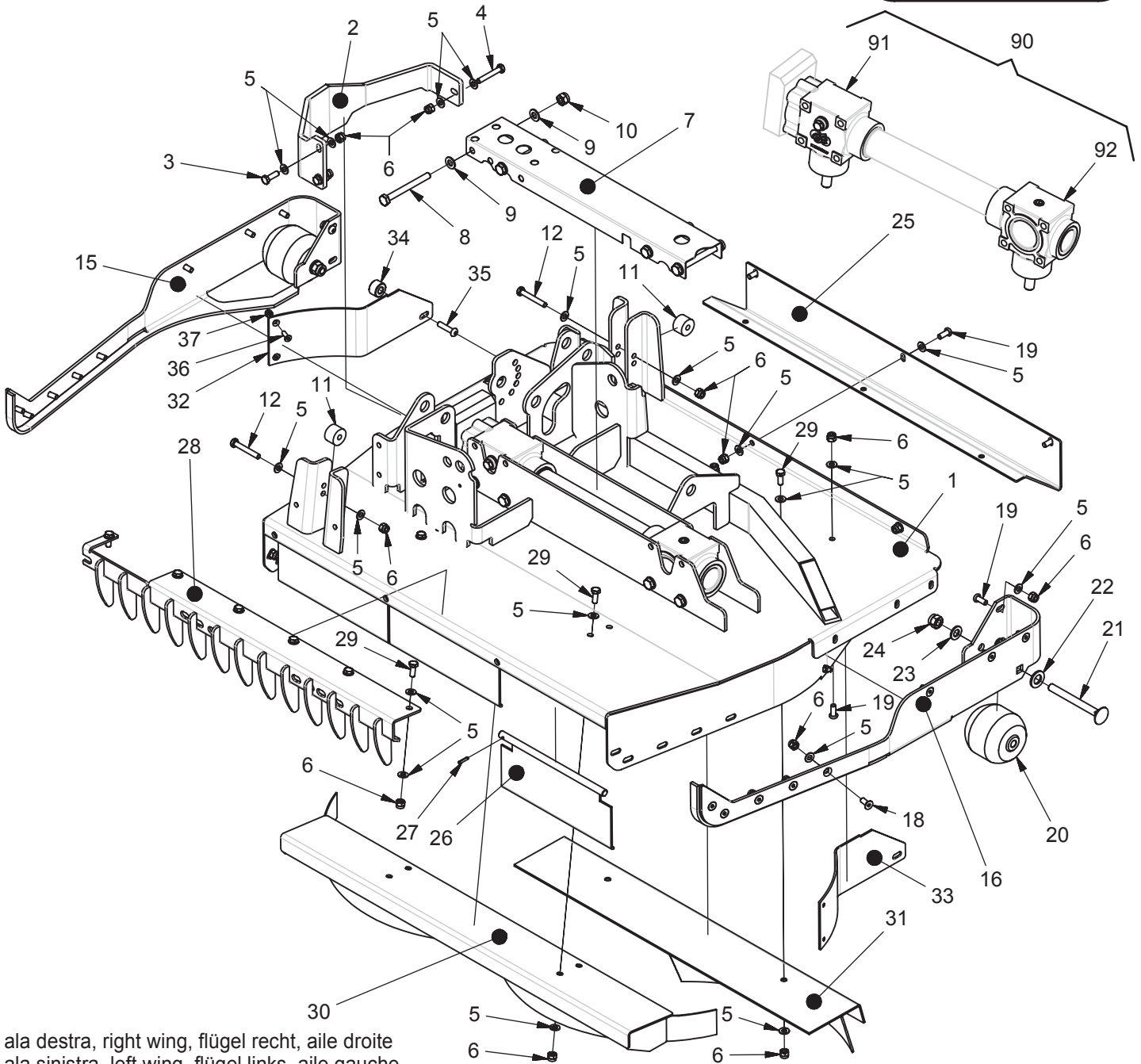
**Gianni  
Ferrari**

**P56070**

**A - 43**

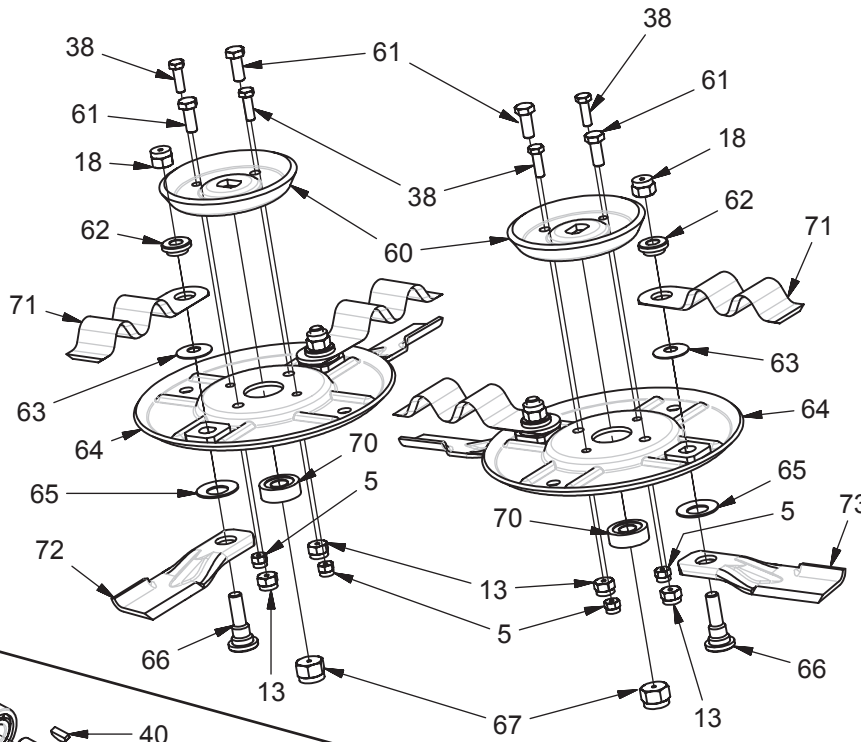
26/10/2004

**cm 100 WRD**

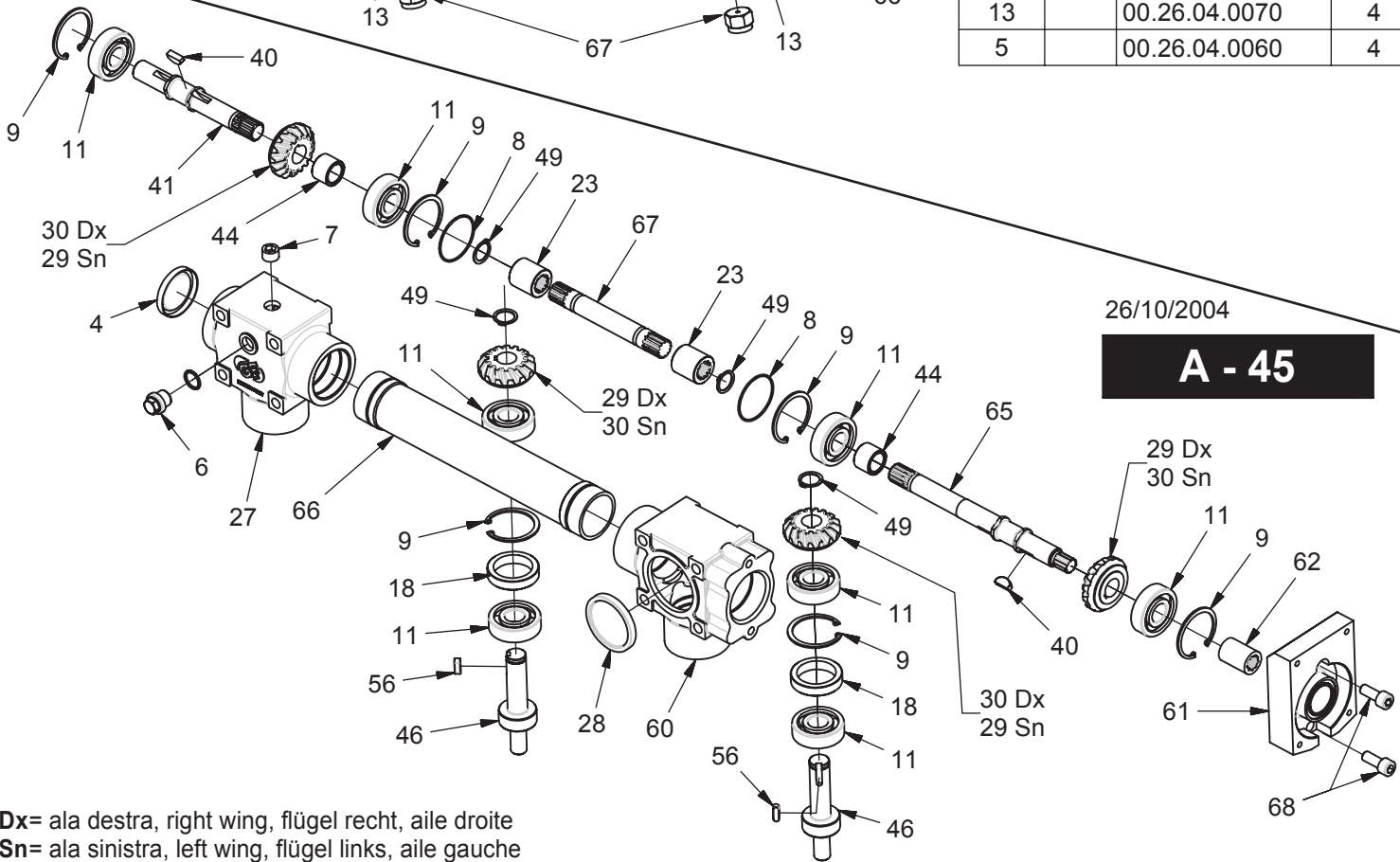


**Dx=** ala destra, right wing, flügel recht, aile droite  
**Sn=** ala sinistra, left wing, flügel links, aile gauche

| Ref. | Leg. | Code          | Q.ty | Ref. | Leg. | Code          | Q.ty | Ref. | Leg. | Code          | Q.ty |
|------|------|---------------|------|------|------|---------------|------|------|------|---------------|------|
| 15   |      | 01.50.00.8870 | 1    | 29   |      | 00.92.05.1070 | 10   | 92   | Dx   | 01.90.00.1823 | 1    |
| 12   |      | 00.92.05.0150 | 2    | 28   | Dx   | 01.50.01.1020 | 1    | 92   | Sn   | 01.90.00.1821 | 1    |
| 11   |      | 00.55.01.0300 | 2    | 28   | Sn   | 01.50.01.1030 | 1    | 91   | Dx   | 01.90.00.2121 | 1    |
| 10   |      | 00.26.04.0070 | 8    | 27   |      | 00.83.09.1020 | 3    | 91   | Sn   | 01.90.00.2131 | 1    |
| 9    |      | 00.68.01.0040 | 16   | 26   |      | 01.50.00.8890 | 3    | 90   | Dx   | 01.90.00.2120 | 1    |
| 8    |      | 00.92.06.0220 | 8    | 25   |      | 01.50.01.0010 | 1    | 90   | Sn   | 01.90.00.2130 | 1    |
| 7    |      | 01.50.01.0460 | 1    | 24   |      | 00.26.04.0080 | 2    | 37   |      | 00.26.05.0040 | 4    |
| 6    |      | 00.26.04.0060 | 41   | 23   |      | 00.68.01.0050 | 2    | 36   |      | 00.95.04.0060 | 4    |
| 5    |      | 00.68.01.0030 | 59   | 22   |      | 00.68.01.0070 | 2    | 35   |      | 00.90.06.3120 | 2    |
| 4    |      | 00.92.05.0140 | 1    | 21   |      | 00.97.02.5120 | 2    | 34   |      | 01.50.00.0770 | 2    |
| 3    |      | 00.92.05.1080 | 2    | 20   |      | 00.72.00.0240 | 2    | 33   |      | 01.50.01.1460 | 1    |
| 2    | Dx   | 01.50.01.0120 | 1    | 19   |      | 00.90.06.3080 | 8    | 32   |      | 01.50.01.1450 | 1    |
| 2    | Sn   | 01.50.00.0130 | 1    | 18   |      | 00.95.05.0040 | 16   | 31   |      | 01.50.01.1440 | 1    |
| 1    | Dx   | 01.50.00.8830 | 1    | 16   |      | 01.50.00.8880 | 1    | 30   |      | 01.50.01.1430 | 1    |
| 1    | Sn   | 01.50.00.8840 | 1    |      |      |               |      |      |      |               |      |



| Ref. | Leg. | Code          | Q.ty |
|------|------|---------------|------|
| 73   |      | 01.33.01.0220 | 2    |
| 72   |      | 01.33.01.0210 | 2    |
| 71   |      | 01.33.01.0200 | 4    |
| 70   |      | 01.40.00.2360 | 2    |
| 67   |      | 00.26.04.1100 | 2    |
| 66   |      | 01.40.00.1000 | 4    |
| 65   |      | 01.48.00.0186 | 4    |
| 64   |      | 01.50.00.2740 | 2    |
| 63   |      | 01.48.00.0160 | 4    |
| 62   |      | 01.40.00.1010 | 4    |
| 61   |      | 00.92.06.1060 | 4    |
| 60   |      | 01.50.00.0692 | 2    |
| 38   |      | 00.92.05.1080 | 4    |
| 18   |      | 00.26.04.0080 | 4    |
| 13   |      | 00.26.04.0070 | 4    |
| 5    |      | 00.26.04.0060 | 4    |



26/10/2004

**A - 45**

**Dx=** ala destra, right wing, flügel recht, aile droite  
**Sn=** ala sinistra, left wing, flügel links, aile gauche

| Ref. | Leg. | Code          | Q.ty | Ref. | Leg. | Code          | Q.ty | Ref. | Leg. | Code          | Q.ty |
|------|------|---------------|------|------|------|---------------|------|------|------|---------------|------|
| 23   |      | 01.40.00.0430 | 2    | 46   |      | 01.40.00.0372 | 2    | 68   |      | 00.90.07.0100 | 2    |
| 18   |      | 01.40.00.0440 | 2    | 44   |      | 01.40.00.2180 | 2    | 67   |      | 01.40.00.3100 | 1    |
| 11   |      | 00.22.00.0400 | 8    | 41   |      | 01.40.00.0385 | 1    | 66   |      | 01.40.00.3130 | 1    |
| 9    |      | 00.03.01.0052 | 6    | 40   |      | 01.40.00.2052 | 2    | 65   |      | 01.40.00.3630 | 1    |
| 8    |      | 00.06.04.0490 | 2    | 30   |      | 00.40.00.0132 | 2    | 62   |      | 01.40.00.3590 | 1    |
| 7    |      | 01.85.01.0033 | 1    | 29   |      | 01.40.00.0131 | 2    | 61   |      | 01.40.00.3610 | 1    |
| 6    |      | 00.85.01.0031 | 2    | 28   |      | 00.07.06.0062 | 2    | 60   |      | 01.01.00.0340 | 1    |
| 4    |      | 00.07.06.0020 | 1    | 27   |      | 01.01.00.0070 | 1    | 56   |      | 00.43.06.0018 | 2    |
|      |      |               |      |      |      |               |      | 49   |      | 00.03.10.0020 | 4    |





**P R O F E S S I O N A L M O W E R S**

GIANNI FERRARI s.r.l. • Via Vespucci, 53 (Zona Ind. Ranaro) • 42046 REGGIOLO (RE) Italy • Tel. 0522 / 973697 • Fax 0522 / 973707

[www.gianniferrari.com](http://www.gianniferrari.com) Email:[info@gianniferrari.com](mailto:info@gianniferrari.com)



# Gianni Ferrari

A - 42

A - 43

A - 44

A - 45

A - 46

## TURBO

cm. 100 - WRD

PIATTO LATERALE DS & SN CM. 100 SCARICO POSTERIORE

TONDEUSE LATÉRALE D & G CM. 100 EJECTION ARRIERE

SEITLICHES MÄHWERK R & L CM. 100 HECKAUSWURF

SIDE MOWERDECK RH & LH CM. 100 REAR DISCHARGE



**CATALOGO PARTI DI RICAMBIO  
CATALOGUE PIECES DETACHEES  
ERSATZTEILKATALOG  
PARTS MANUAL**

27.11.2008



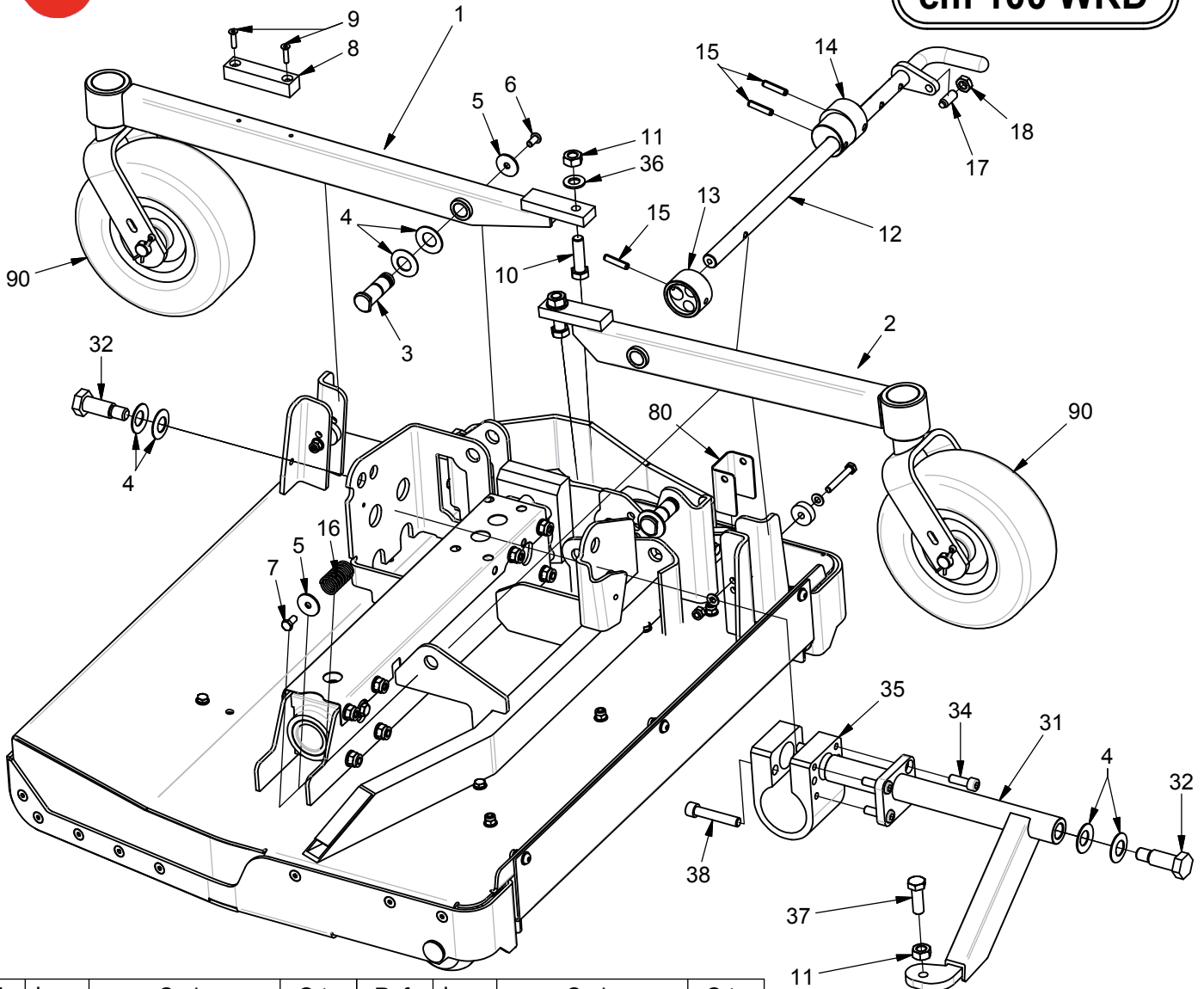
**Gianni  
Ferrari**

**P56070**

**A - 42**

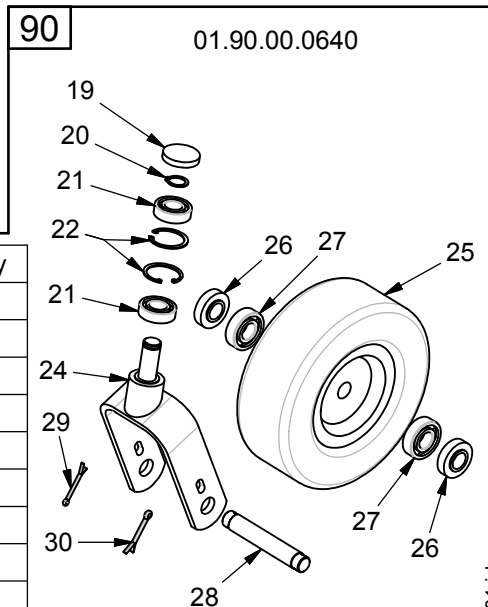
26/10/2004

**cm 100 WRD**



| Ref. | Leg. | Code          | Q.ty | Ref. | Leg. | Code          | Q.ty |
|------|------|---------------|------|------|------|---------------|------|
| 31   | Dx   | 01.50.00.8920 | 1    | 90   |      | 01.90.00.0640 | 2    |
| 31   | Sn   | 01.50.00.8930 | 1    | 80   |      | 01.50.01.1940 | 1    |
| 18   |      | 00.26.03.0090 | 1    | 38   |      | 00.90.08.0181 | 2    |
| 17   |      | 00.96.07.0091 | 1    | 37   |      | 00.92.08.1080 | 1    |
| 16   |      | 00.47.00.0230 | 1    | 36   |      | 00.68.01.0060 | 2    |
| 15   |      | 00.83.14.0036 | 3    | 35   |      | 01.01.00.0320 | 1    |
| 14   |      | 01.40.00.4030 | 1    | 34   |      | 00.90.07.0110 | 4    |
| 13   |      | 01.40.00.3680 | 1    | 32   |      | 01.40.00.3140 | 2    |
| 12   |      | 01.50.00.9020 | 1    |      |      |               |      |
| 11   |      | 00.26.02.0100 | 3    |      |      |               |      |
| 10   |      | 00.92.08.1100 | 2    |      |      |               |      |
| 9    |      | 00.95.04.0080 | 2    |      |      |               |      |
| 8    |      | 01.29.00.0080 | 1    |      |      |               |      |
| 7    |      | 00.92.05.1040 | 1    |      |      |               |      |
| 6    |      | 00.90.06.3060 | 2    |      |      |               |      |
| 5    |      | 00.68.03.0040 | 3    |      |      |               |      |
| 4    |      | 01.48.00.0186 | 8    |      |      |               |      |
| 3    |      | 01.50.00.2310 | 2    |      |      |               |      |
| 2    |      | 01.50.00.8900 | 1    |      |      |               |      |
| 1    |      | 01.50.00.8910 | 1    |      |      |               |      |

**Dx=** ala destra, right wing, flügel recht, aile droite  
**Sn=** ala sinistra, left wing, flügel links, aile gauche



| Ref. | Leg. | Code          | Q.ty |
|------|------|---------------|------|
| 30   |      | 00.18.04.0075 | 1    |
| 29   |      | 00.18.04.0065 | 1    |
| 28   |      | 01.50.00.0800 | 1    |
| 27   |      | 00.22.00.0230 | 2    |
| 26   |      | 01.30.00.0180 | 2    |
| 25   |      | 00.72.00.0204 | 1    |
| 24   |      | 01.50.00.1241 | 1    |
| 22   |      | 00.03.01.0042 | 2    |
| 21   |      | 00.22.00.0210 | 2    |
| 20   |      | 00.03.10.0020 | 1    |
| 19   |      | 00.07.06.0010 | 1    |



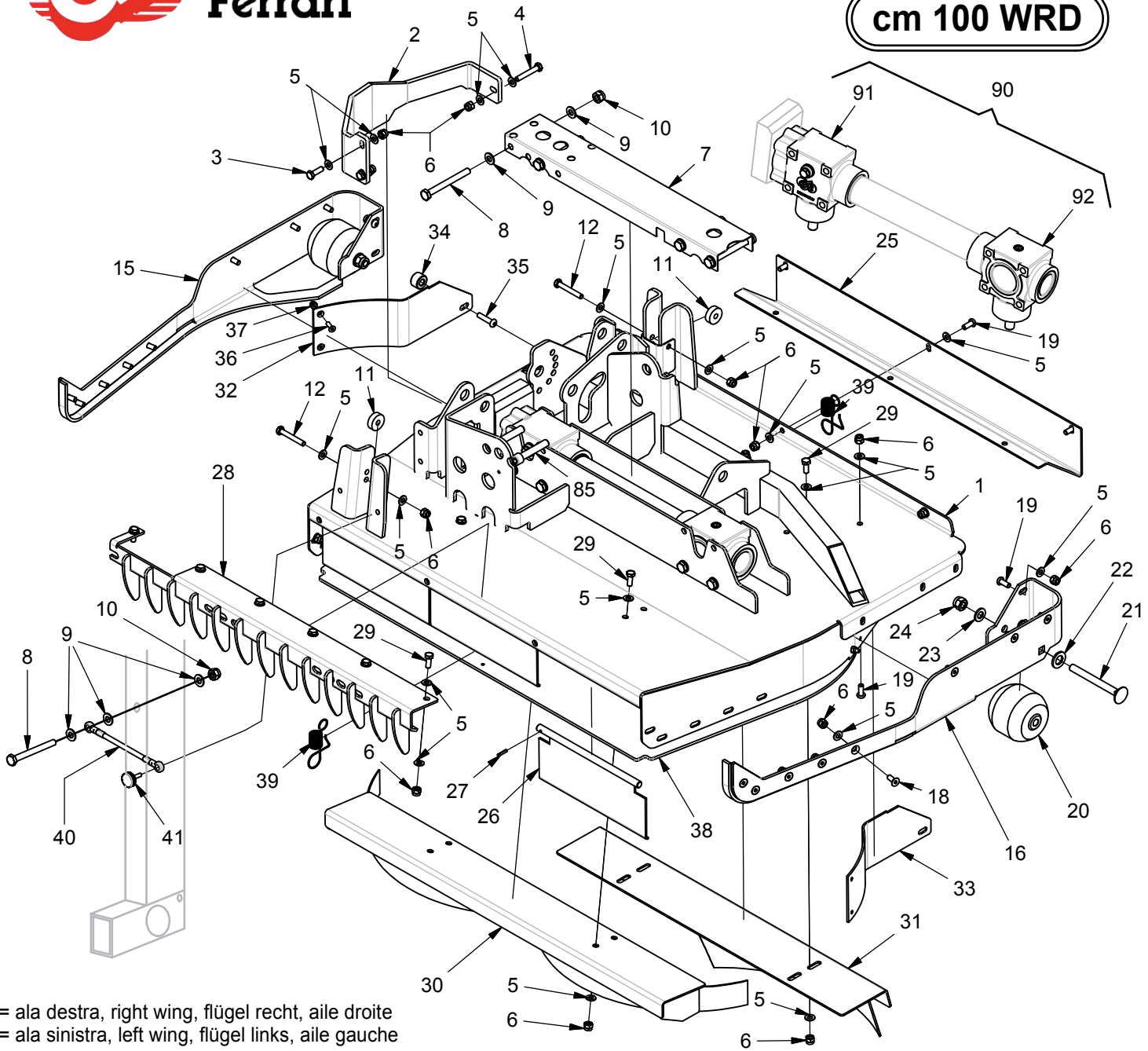
**Gianni  
Ferrari**

**1B 60073**

**A - 43**

27/11/2008

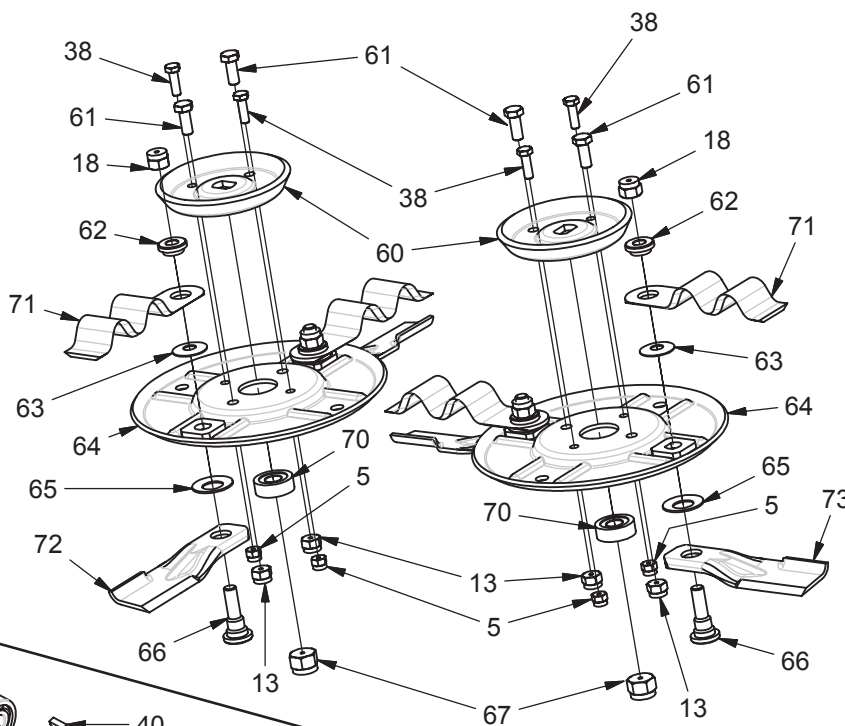
**cm 100 WRD**



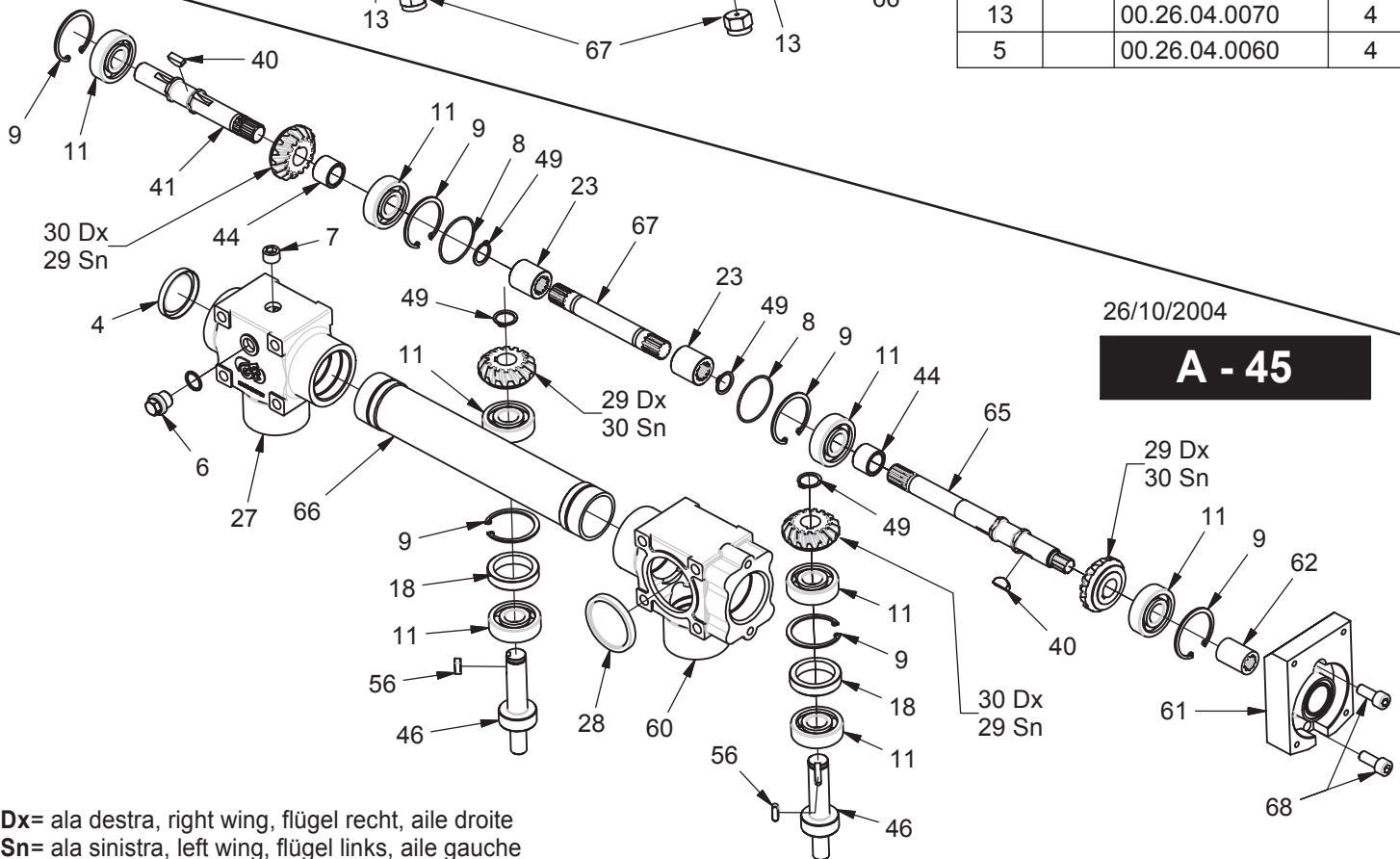
**Dx=** ala destra, right wing, flügel recht, aile droite  
**Sn=** ala sinistra, left wing, flügel links, aile gauche

| Ref. | Leg. | Code          | Q.ty | Ref. | Leg. | Code          | Q.ty | Ref. | Leg. | Code          | Q.ty |
|------|------|---------------|------|------|------|---------------|------|------|------|---------------|------|
| 16   |      | 01.50.00.8880 | 1    | 32   |      | 01.50.01.1450 | 1    | 92   | SN   | 01.90.00.1821 | 1    |
| 15   |      | 01.50.00.8870 | 1    | 31   |      | 01.50.01.1440 | 1    | 92   | DX   | 01.90.00.1823 | 1    |
| 12   |      | 00.92.05.0150 | 2    | 30   |      | 01.50.01.1430 | 1    | 91   | DX   | 01.90.00.2121 | 1    |
| 11   |      | 00.55.01.0300 | 2    | 29   |      | 00.92.05.1070 | 10   | 91   | SN   | 01.90.00.2131 | 1    |
| 10   |      | 00.26.04.0070 | 9    | 28   | DX   | 01.50.01.1020 | 1    | 90   | DX   | 01.90.00.2120 | 1    |
| 9    |      | 00.68.01.0040 | 19   | 28   | SN   | 01.50.01.1030 | 1    | 90   | SN   | 01.90.00.2130 | 1    |
| 8    |      | 00.92.06.0220 | 9    | 27   |      | 00.83.09.0020 | 3    | 85   |      | 00.90.08.0181 | 2    |
| 7    |      | 01.50.01.0460 | 1    | 26   |      | 01.50.00.8890 | 3    | 41   |      | 00.45.01.0127 | 1    |
| 6    |      | 00.26.04.0060 | 41   | 25   |      | 01.50.01.0010 | 1    | 40   |      | 01.50.01.1880 | 1    |
| 5    |      | 00.68.01.0030 | 59   | 24   |      | 00.26.04.0080 | 2    | 39   |      | 00.47.00.0460 | 2    |
| 4    |      | 00.92.05.0140 | 1    | 23   |      | 00.68.01.0050 | 2    | 38   |      | 01.30.00.0750 | 1    |
| 3    |      | 00.92.05.1080 | 2    | 22   |      | 00.68.01.0070 | 2    | 37   |      | 00.26.05.0040 | 4    |
| 2    | SN   | 01.50.00.0130 | 1    | 21   |      | 00.97.02.5120 | 2    | 36   |      | 00.95.04.0060 | 4    |
| 2    | DX   | 01.50.01.0120 | 1    | 20   |      | 00.72.00.0240 | 2    | 35   |      | 00.90.06.3120 | 2    |
| 1    | SN   | 01.50.00.8840 | 1    | 19   |      | 00.90.06.3080 | 8    | 34   |      | 01.50.00.0770 | 2    |
| 1    | DX   | 01.50.00.8830 | 1    | 18   |      | 00.95.05.0040 | 16   | 33   |      | 01.50.01.1460 | 1    |





| Ref. | Leg. | Code          | Q.ty |
|------|------|---------------|------|
| 73   |      | 01.33.01.0220 | 2    |
| 72   |      | 01.33.01.0210 | 2    |
| 71   |      | 01.33.01.0200 | 4    |
| 70   |      | 01.40.00.2360 | 2    |
| 67   |      | 00.26.04.1100 | 2    |
| 66   |      | 01.40.00.1000 | 4    |
| 65   |      | 01.48.00.0186 | 4    |
| 64   |      | 01.50.00.2740 | 2    |
| 63   |      | 01.48.00.0160 | 4    |
| 62   |      | 01.40.00.1010 | 4    |
| 61   |      | 00.92.06.1060 | 4    |
| 60   |      | 01.50.00.0692 | 2    |
| 38   |      | 00.92.05.1080 | 4    |
| 18   |      | 00.26.04.0080 | 4    |
| 13   |      | 00.26.04.0070 | 4    |
| 5    |      | 00.26.04.0060 | 4    |



26/10/2004

**A - 45**

**Dx=** ala destra, right wing, flügel recht, aile droite  
**Sn=** ala sinistra, left wing, flügel links, aile gauche

| Ref. | Leg. | Code          | Q.ty | Ref. | Leg. | Code          | Q.ty | Ref. | Leg. | Code          | Q.ty |
|------|------|---------------|------|------|------|---------------|------|------|------|---------------|------|
| 23   |      | 01.40.00.0430 | 2    | 46   |      | 01.40.00.0372 | 2    | 68   |      | 00.90.07.0100 | 2    |
| 18   |      | 01.40.00.0440 | 2    | 44   |      | 01.40.00.2180 | 2    | 67   |      | 01.40.00.3100 | 1    |
| 11   |      | 00.22.00.0400 | 8    | 41   |      | 01.40.00.0385 | 1    | 66   |      | 01.40.00.3130 | 1    |
| 9    |      | 00.03.01.0052 | 6    | 40   |      | 01.40.00.2052 | 2    | 65   |      | 01.40.00.3630 | 1    |
| 8    |      | 00.06.04.0490 | 2    | 30   |      | 00.40.00.0132 | 2    | 62   |      | 01.40.00.3590 | 1    |
| 7    |      | 01.85.01.0033 | 1    | 29   |      | 01.40.00.0131 | 2    | 61   |      | 01.40.00.3610 | 1    |
| 6    |      | 00.85.01.0031 | 2    | 28   |      | 00.07.06.0062 | 2    | 60   |      | 01.01.00.0340 | 1    |
| 4    |      | 00.07.06.0020 | 1    | 27   |      | 01.01.00.0070 | 1    | 56   |      | 00.43.06.0018 | 2    |
|      |      |               |      |      |      |               |      | 49   |      | 00.03.10.0020 | 4    |



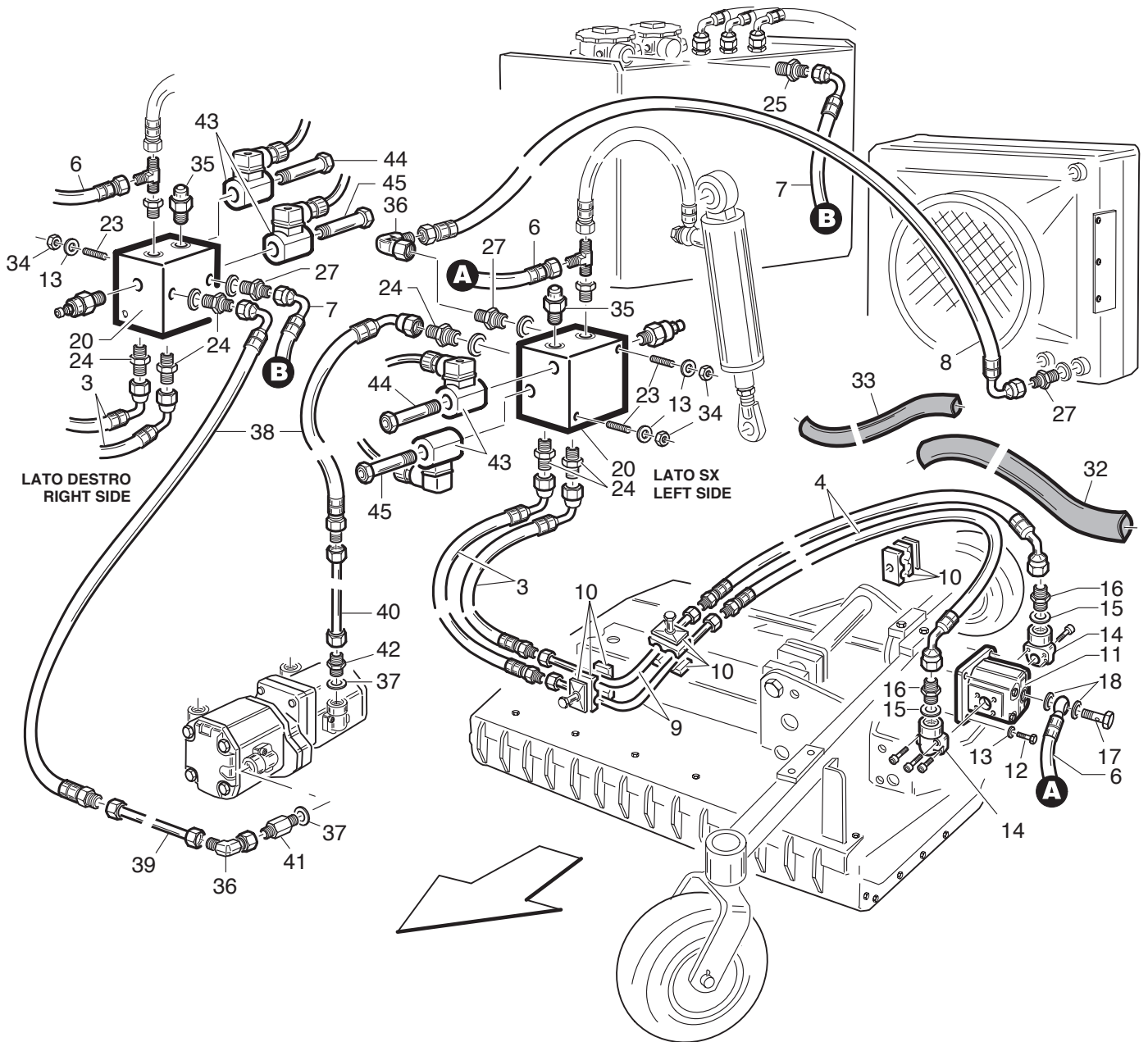
**Gianni  
Ferrari**

**08A.0001**

**A - 46**

12/12/2007

**cm.100 WRD**



| Ref. | Leg. | Code          | Q.ty | Ref. | Leg. | Code          | Q.ty    | Ref. | Leg. | Code          | Q.ty |
|------|------|---------------|------|------|------|---------------|---------|------|------|---------------|------|
| 3    |      | 00.41.00.2350 | 4    | 15   |      | 00.41.00.0071 | 4       | 35   |      | 00.41.00.3085 | 2    |
| 4    |      | 00.41.00.2360 | 4    | 16   |      | 00.41.00.0819 | 4       | 36   |      | 00.41.00.0945 | 1    |
| 6    |      | 00.41.00.2380 | 2    | 17   |      | 00.41.00.0120 | 2       | 37   |      | 00.41.00.1289 | 2    |
| 7    | DX   | 00.41.00.2390 | 1    | 18   |      | 00.41.00.0060 | 4       | 38   |      | 00.41.00.2341 | 2    |
| 8    | SN   | 00.41.00.2400 | 1    | 20   |      | 00.41.00.2240 | 2       | 39   | DX   | 00.41.00.3120 | 1    |
| 9    | DX   | 00.41.00.2460 | 2    | 23   |      | 00.96.05.0120 | 4       | 40   | SN   | 00.41.00.3130 | 1    |
| 9    | SN   | 00.41.00.2470 | 2    | 24   |      | 00.41.00.0822 | 6       | 41   | DX   | 00.41.00.0829 | 1    |
| 10   |      | 00.41.00.0441 | 4    | 25   |      | 00.41.00.0826 | 1       | 42   | SN   | 00.41.00.0820 | 1    |
| 11   |      | 00.54.00.1120 | 2    | 27   |      | 00.41.00.0823 | 3       | 43   |      | 00.41.00.3520 | 4    |
| 12   |      | 00.92.05.0120 | 8    | 32   |      | 00.38.03.0065 | mt. 2,1 | 44   |      | 00.41.00.3521 | 2    |
| 13   |      | 00.68.01.0030 | 12   | 33   |      | 00.38.03.0040 | mt. 2,5 | 45   |      | 00.41.00.3522 | 2    |
| 14   |      | 00.41.00.0188 | 4    | 34   |      | 00.26.02.0060 | 4       |      |      |               |      |



**P R O F E S S I O N A L M O W E R S**

GIANNI FERRARI s.r.l. • Via Vespucci, 53 (Zona Ind. Ranaro) • 42046 REGGIOLO (RE) Italy • Tel. 0522 / 973697 • Fax 0522 / 973707

[www.gianniferrari.com](http://www.gianniferrari.com) Email:[info@gianniferrari.com](mailto:info@gianniferrari.com)